

(1971)

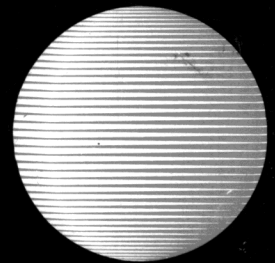
Norton

A DIVISION OF NORTON VILLIERS LTD.

motorcycles

750 COMMANDO

PARTS LIST





PARTS LIST

USE OF THIS PARTS BOOK

This text is divided into two sections as a dual - aid, firstly to interchangeability and secondly to aid overseas assembly from a partially or completely knocked down state. The two sections are:

- a) Pages bearing a number prefix "C" – indicating parts of the carcass – that is, the main body of the motorcycle.
- b) Pages bearing a number prefix "K" – indicating kit parts, that is those feature parts necessary to complete the various models.
Each basic carcass motorcycle built is identical and it is not until the feature kits are fitted that the model gains its identity.

TO LOCATE THE PART REQUIRED

Identify from the illustration the section in which the required component appears. Having located the page, the individual component is keyed from the illustration to the text.

Note that the parts appearing in the carcass sections are identical for all models with the exception of one or two parts only which are clearly marked. In the case of kit parts, parts which apply to all models are marked to this effect.

SPECIAL NOTE

When ordering coloured parts, always quote the colour required as well as using the part number suffix. The suffix numbers do not indicate the colour in many instances.

Published By

**Norton Villiers Ltd.
Marston Road,
Wolverhampton,
England.**

**Tel. 0902-22399
Telex 338517
Cables Norvil Wolverhampton England**

**Printed in England.
Publication No.
101/71**

**Printed by Clark and Evans Limited
Wombourne, Wolverhampton.**

Index

Air Cleaner C14
Alternator C8
Assimilator C13

Battery K6
Battery Carrier C13
Brake Shoes C16, C17
Breather C4, C12

Cable, Air C18
Cable, Throttle C18
Cable, Front Brake C18
Cable, Rear Brake C15
Camshaft C1
Capacitor Pack C13
Capacitor, Electrolytic C13
Carburetors C14
Carburetor Mounts C14
Chain Cases C8
Chains C8
Chain Guard C10
Chain Oiler C12
Clutch C8
Clutch Thrust C6
Coil, Ignition C13
Connecting Rods C1
Contact Breaker C3
Cover, Accessory K2
Cover, Side K2
Crankcases C4
Crankshaft C1
Cylinder C1
Cylinder Head C1

Direction Indicator Lights K6
Direction Indicator Flasher K6

Exhaust Mountings K1
Exhaust Pipes K1

Fairing, Tail Light K4
Fender, Front K3
Fender Rear K4
Filler Cap, Oil C12
Filler Cap, Petrol K5
Filter, Air C14
Filter, Crankcase C4
Flasher Lamps K6
Flasher Unit K6
Footpegs, Riders C15

Footpegs, Passenger K1
Forks, Telescopic C11
Frame C10

Gascap K5
Petcock K5
Gasket Sets Preface
Gearbox Shell C5
Gearbox Adjusters C5
Gearbox Selector Mechanism C6
Gearbox Inner Cover C6
Gearbox Outer Cover C7
Gears & Shafts C5
Gearshift Pedal C7

Handlebar Controls C18
Handlebars K7
Harness, Headlight K6
Harness, Main C13
Head Steady C9
Heat Shields K1
Horn Control Box K7
Horn Relay K7
Horn, Standard C13
Horns, Interpol K7

Instrument Cases C11

Junction Block C12

Kickstart Pedal C7
Kickstart Mechanism C6

Line, Fuel C14
Line, Oil C12
Line, Rocker Feed C3
Light, Head K6
Light, Tail K4
Light, Warning K6
Lock, Steering C11

Main Bearings C4
Preface
Major Assemblies
Mountings C9
Muffler K1
Muffler Support K1
Mute K1

Numberplate, Front K3

Oil Pipes C12
Oil Pump C3
Oil Release Valve C3
Oversize Parts-Preface

Pedal, Rear Brake C15
Petrol Taps K5
Petrol Filler Cap K5
Pistons C1
Pushrods C2

Rectifier C13
Reflector, Front C13
Reflector, Rear C13
Rocker Gear C2
Rocker Oil Pipes C3

Seat K3
Service Tools Preface
Shocks (Suspension Units) C10
Skid Plate K8
Spark Plugs C13
Speedometer K6
Sprocket, Engine C8
Sprocket, Rear C16
Stand, Centre C9
Stand, Prop C10
Steering Head Bearings C11
Sumpshield K7
Support Plates C15
Swinging Arm C10
Switch, Master C13
Switch, Stop, Rear C15
Switch, Light K6

Tachometer C11
Tachometer Drive C4
Tail Unit K4
Tank, Gas K5
Tank, Oil C12
Telescopic Fork C11
Timing Cover C3
Timing Gear C1
Toolkit K8

Valves C2
Valve Springs C2

Wheel, Front C17
Wheel, Rear C16

Zener Diode C13

PISTONS AND RINGS (OVERSIZE)

061187	Piston complete left hand—+.010 in.	1
061188	Piston complete right hand—+.010 in.	1
060960	Piston ring top (chrome)—+.010 in.	2
062313	Piston ring plain—+.010 in.	2
061181	Piston ring scraper—+.010 in.	2
061189	Piston complete left hand—+.020 in.	1
061190	Piston complete right hand—+.020 in.	1
060967	Piston ring top (Chrome)—+.020 in.	2
062314	Piston ring plain—+.020 in.	2
061182	Piston ring scraper—+.020 in.	2
061191	Piston complete left hand—+.030 in.	1
061192	Piston complete right hand—+.030 in.	1
060974	Piston ring top (chrome)—+.030 in.	2
062315	Piston ring plain—+.030 in.	2
061183	Piston ring scraper—+.030 in.	2
061193	Piston complete left hand—+.040 in.	1
061194	Piston complete right hand—+.040 in.	1
060981	Piston ring top (chrome)—+.040 in.	2
062316	Piston ring plain—+.040 in.	2
061184	Piston ring scraper—+.040 in.	2

CONNECTING ROD SHELLS (UNDERSIZE)

25409	Connecting rod bearing shell (top half) .010 in.	2
25410	Connecting rod bearing shell (top half) .020 in.	2
25411	Connecting rod bearing shell (top half) .030 in.	2
25413	Connecting rod bearing shell (top half) .040 in.	2
25165	Connecting rod bearing shell (bottom half) .010 in.	2
25166	Connecting rod bearing shell (bottom half) .020 in.	2
25167	Connecting rod bearing shell (bottom half) .030 in.	2
25168	Connecting rod bearing shell (bottom half) .040 in.	2

VALVE GUIDES (OVERSIZE)

062588	Valve guide exhaust (+ .005 in.)	2
062578	Valve guide exhaust (+ .010 in.)	2
062580	Valve guide exhaust (+ .015 in.)	2
062767	Valve guide inlet (+ .005 in.)	2
062768	Valve guide inlet (+ .010 in.)	2
062769	Valve guide inlet (+ .015 in.)	2

GASKET SETS

061363	Gasket set — overhaul	1
060911	Gasket set — decarbonising	1

SERVICE SHOP TOOLS

060934	Auto Advance Draw Bolt
060941	Engine Sprocket & Clutch Hub Tool
060947	Drift Front Engine Mounting
060948	Drift Rear Engine Mounting
060949	Auto Advance Lock Washer
060992	Front Engine Mounting Tool
060995	Rear Engine Mounting Tool
C4805	Clutch Tool
061015	Clutch Hub Lock
061028	Rocker Shaft Extractor
061037	Camshaft Sprocket Extractor
061229	Exhaust Pipe Ring Spanner
060942	Head Spanner
EST 12	Extractor
ET 2003	Extractor
NM12093	Box Spanner
061007	Peg Spanner
NMT 2011	Valve Guide Drift

MAJOR ASSEMBLIES

061466	Engine
061434	Power unit (Engine/Gearbox/Transmission)
060543	Gearbox



1970 ROADSTER ONLY

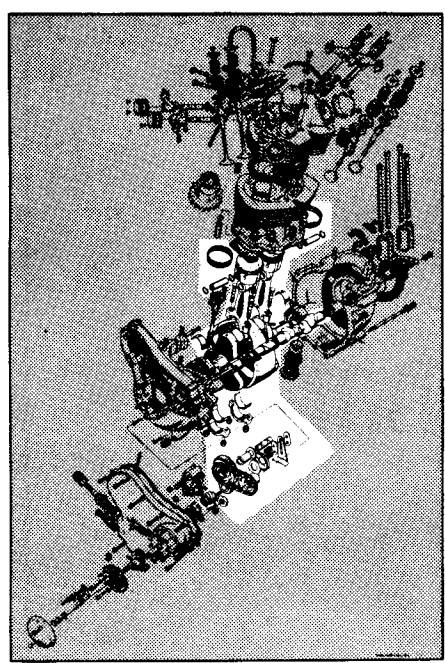
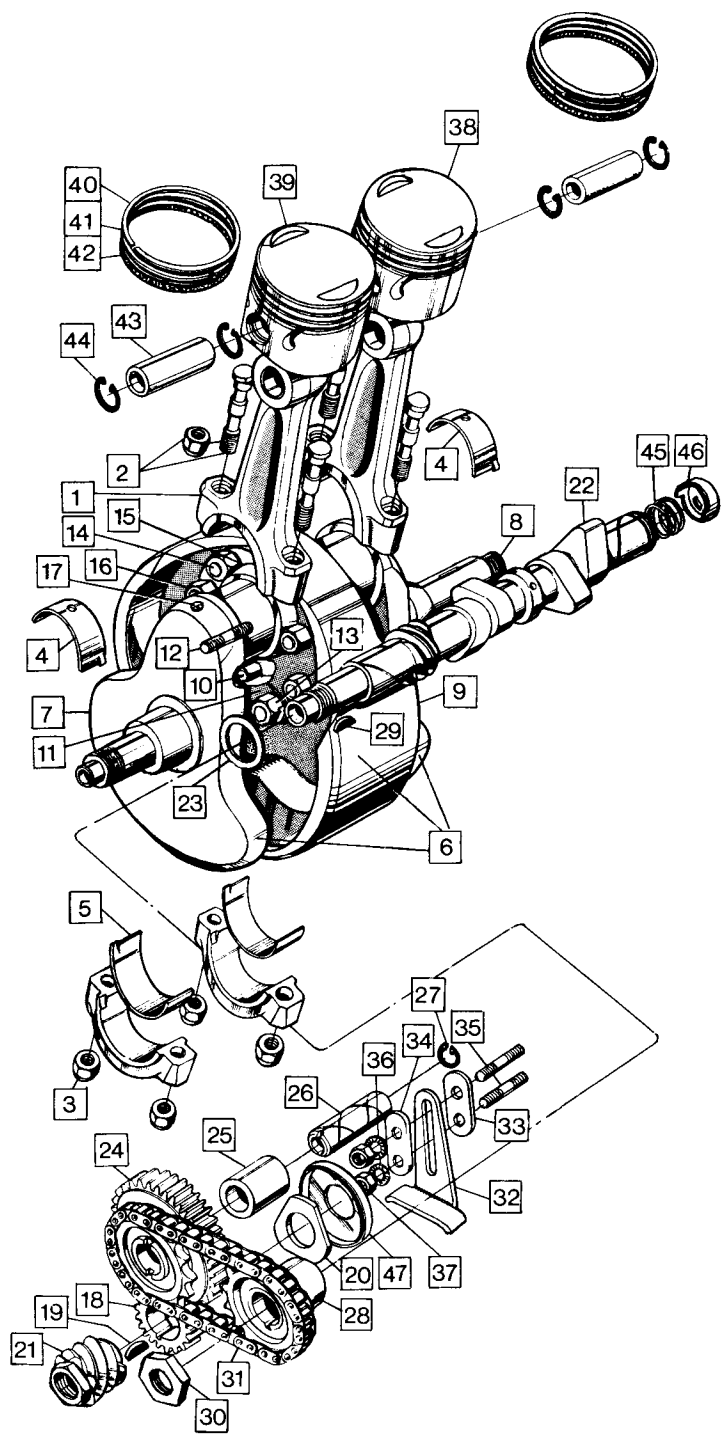
N. MA/70/18

PARTS PREVIOUSLY LISTED ONLY FOR 'S' TYPE AND
NOW COMMON TO ROADSTER:

Front fender	25542
Front fender stay (chrome)	25540
Handlebar lug	061131
Fork crown assembled	061133
Fork crown pinch stud	061136
Fork slider extension	061137
Fork main tube	061114
Fork gaiter	061115
Chain guard (chrome)	061272
Oil tank	061140
Oil feed filter	061159
Oil feed filter washer	042065
Oil feed banjo	061153
Junction block	061345
Headlamp bolt washer	000011
Headlamp bolt spacer	061234
Headlamp support	061239
Headlamp top stay L.H.	061238
Headlamp top stay R.H.	061245
Headlamp top stay bolt	060327
Headlamp top stay washer	015306
Headlamp bottom stay washer	000012
Headlamp bottom stay nut	033057
Headlamp bottom stay locknut	061362
Clip-harness to battery platform	061378
Accessory cover bolt	061204
Accessory cover grommet	060856
Silencer	061608
Exhaust pipe L.H.	061606
Exhaust pipe R.H.	061607

SECTION C1

**Engine: Crankshaft,
Connecting Rods,
Pistons, Camshaft,
Timing Gear**



**Engine: Crankshaft, Connecting Rods, Pistons,
Camshaft, Timing Gear**

Engine: Crankshaft, Connecting Rods, Pistons, Camshaft, Timing Gear

C1

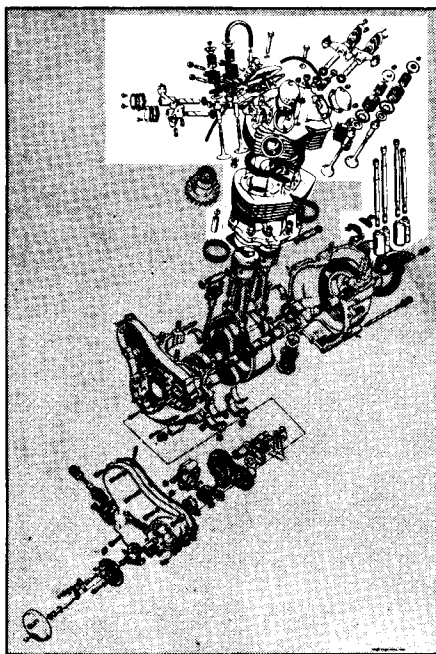
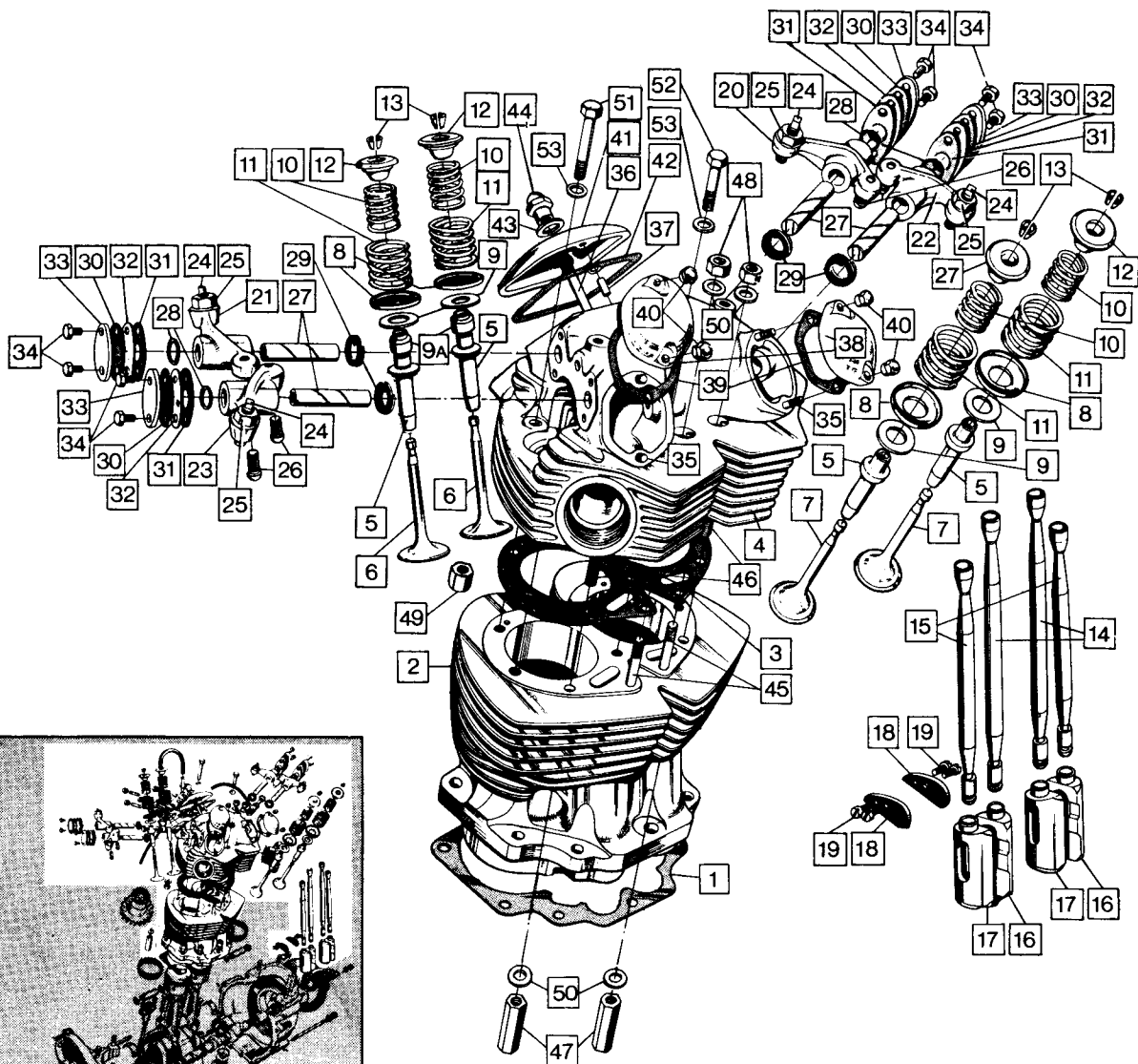
Plate No.	Part No	Description	Qty	Bin No.	Price
1	NM. 25369	Connecting Rod with Cap	2
2	NM. 23254	Connecting Rod Bolt	4
3	† NM. 23253	Connecting Rod Self Locking Nut	4
4	NM. 25384	* Big End Shell Upper	2
5	NM. 23255	* Big End Shell Lower	2
6	060571	Crankshaft Assembled	1
7	NM. 23262	Crank-cheek T.S.	1
8	060542	Crank-cheek D.S.	1
9	060731	Flywheel	1
10	NMT2105	Dowel	1
11	NMT2032	Nut Retaining Plate	2
12	NMT2086	Crankshaft Stud	2
13	NMT2031	Crankshaft Stud Nut	4
14	NMT2033	Crankshaft Bolt	4
15	NMT2031	Crankshaft Bolt Nut	2
16	NM. 23280	Crankshaft Bolt Nut	2
17	NME4591	Crankshaft Oilway Screw	1
18	NMT2035	Timing Pinion	1
19	000572	Timing Pinion Key	1
20	NMT2007	Timing Pinion Backplate	1
21	NM. 24732	Timing Pinion Nut (oil pump worm)	1
22	061084	Camshaft	1
23	061086	Camshaft Thrust Washer	1
24	061077	Intermediate Gear c/w bush	1
25	061079	Intermediate Gear Bush	1
26	061078	Intermediate Gear Shaft	1
27	NM. 17823	Intermediate Gear Shaft Circlip	1
28	061080	Camshaft Sprocket	1
29	000572	Camshaft Sprocket Key	1
30	NM. 20732	Camshaft Sprocket Nut	1
31	NM. 17806	Camshaft Chain	1
32	061094	Tensioner Slipper	1
33	NMT2218	Tensioner Backing Plate, Thin	1
34	NMT2218A	Tensioner Backing Plate, Thick	1
35	NMT247	Tensioner Stud	2
36	NM. 18202	Tensioner Stud Washer	2
37	NME3231	Tensioner Stud Nut	2
38	062459	(Piston complete L.H.	1
39	062462	(Piston complete R.H.	1
40	060952	* (Piston Ring Top - Chrome	2
41	062262	(Piston Ring plain	2
42	062461	(Piston Ring Scraper	2
43	060955	(Wrist Pin	2
44	NM. 23276	Circlip	2
45	NMT2108	Breather spring	1
46	NM. 24301	Breather rotary plate	1
47	NMT2008	Sealing Washer, timing side bearing	1

* For oversize/undersize refer preface pages

† Later models use : 062458 nut 4 off
062453 tab washers 4 off

SECTION C2

**Engine: Cylinder,
Cylinder Head
and Fittings**



Engine: Cylinder, Cylinder Head and Fittings

Engine: Cylinder, Cylinder Head and Fittings

C2

Plate No.	Part No.	Description	Qty	Bin No.	Price
1	NM. 24249	Cylinder Base Gasket	1
2	061705	Cylinder	1
3	060400	Cylinder Head Gasket	1
4	060988	Cylinder Head (c/w guides)	1
5	NMT2011	* Valve Guide Exhaust	2
5A	062725	* Valve Guide Inlet	4
6	NM. 25501	Valve Inlet	2
7	NM. 25500	Valve Exhaust	2
8	NMT2073	Valve Spring Seat	4
9	NM. 23392	Valve Spring Heat Insulator	4
9A	062726	Valve Stem Seal	2
10	NM. 22839	Valve Spring Inner	4
11	NM. 22838	Valve Spring Outer	4
12	NMT186	Valve Collar	4
13	NMT187	Valve Split Collet	4 Pairs
14	NM. 25515	Inlet pushrod complete	2
15	NM. 25516	Pushrod exhaust complete	2
16	NM. 22771	Tappet L.H.	2
17	NM. 22772	Tappet R.H.	2
18	NMT2142	Tappet Locating Plate	2
19	NMT2143	Tappet Locating Plate Screw	4
20	062473	Rocker Inlet L.H. with ball end, less adjuster & nut	1
21	062471	Rocker Inlet R.H. with ball end, less adjuster & nut	1
22	062474	Rocker Exhaust L.H. with ball end, less adjuster & nut	1
23	062472	Rocker Exhaust R.H. with ball end, less adjuster & nut	1
24	NMT2074	Rocker Adjuster	4
25	NMT232	Rocker Adjuster Nut	4
26	NMT2063	† Rocker Ball End	4
27	NM. 25350	Rocker Spindle	4
28	NM. 18102	Rocker Thrust Washer	4
29	NM. 18103	Rocker Spring Washer	4
30	NMT2083	Rocker Plain Washer	4
31	NMT2240	Rocker Spindle Joint Washer	4
32	NMT2238	Rocker Spindle Lock Plate	4
33	NMT2239	Rocker Spindle Retaining Plate	4
34	NMT2256	Rocker Spindle Retaining Bolt	4
35	NMT2252	Rocker Cover Stud - Front	4
36	NM. 18033	Rocker Cover Stud - Rear	1
37	000579	Rocker Cover Dowel	1
38	NM. 18093A	Rocker Cover - Front	2
39	NMT2088	Rocker Cover Gasket	2
40	NMT2085	Rocker Cover Nut	4
41	NM. 18094A	Rocker Cover - Rear	1
42	NMT2084	Rocker Cover Gasket	1
43	NMT2082	Rocker Cover Stud Washer	1
44	NMT2162	Rocker Cover Stud Nut	1
45	NMT2161	Cylinder Head/Barrel Stud	2
46	NM. 24389	Cylinder Head/Barrel Stud	3
47	NM. 24260	Cylinder Head/Barrel Stud Nut	2
48	NMT2017	Cylinder Head/Barrel Stud Nut	2
49	NM. 24250	Cylinder Head/Barrel Stud Nut	1
50	000011	Cylinder Head/Barrel Stud Washer	2
51	060401	Cylinder Head/Barrel Bolt	4
52	NM. 25313	Cylinder Head/Barrel Bolt short	1
53	016213	Cylinder Head/Barrel Stud Washer	5

* For oversizes see preface pages

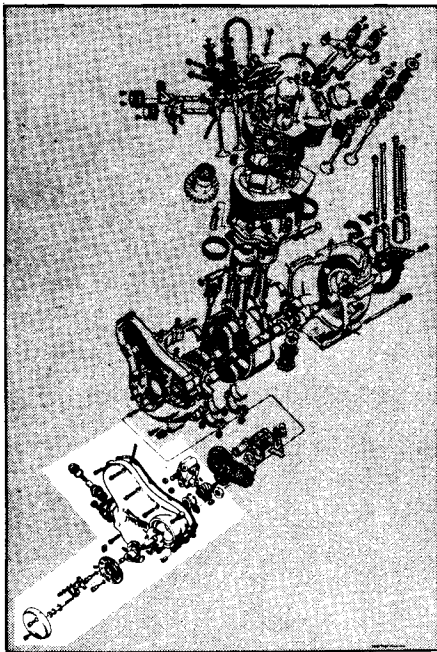
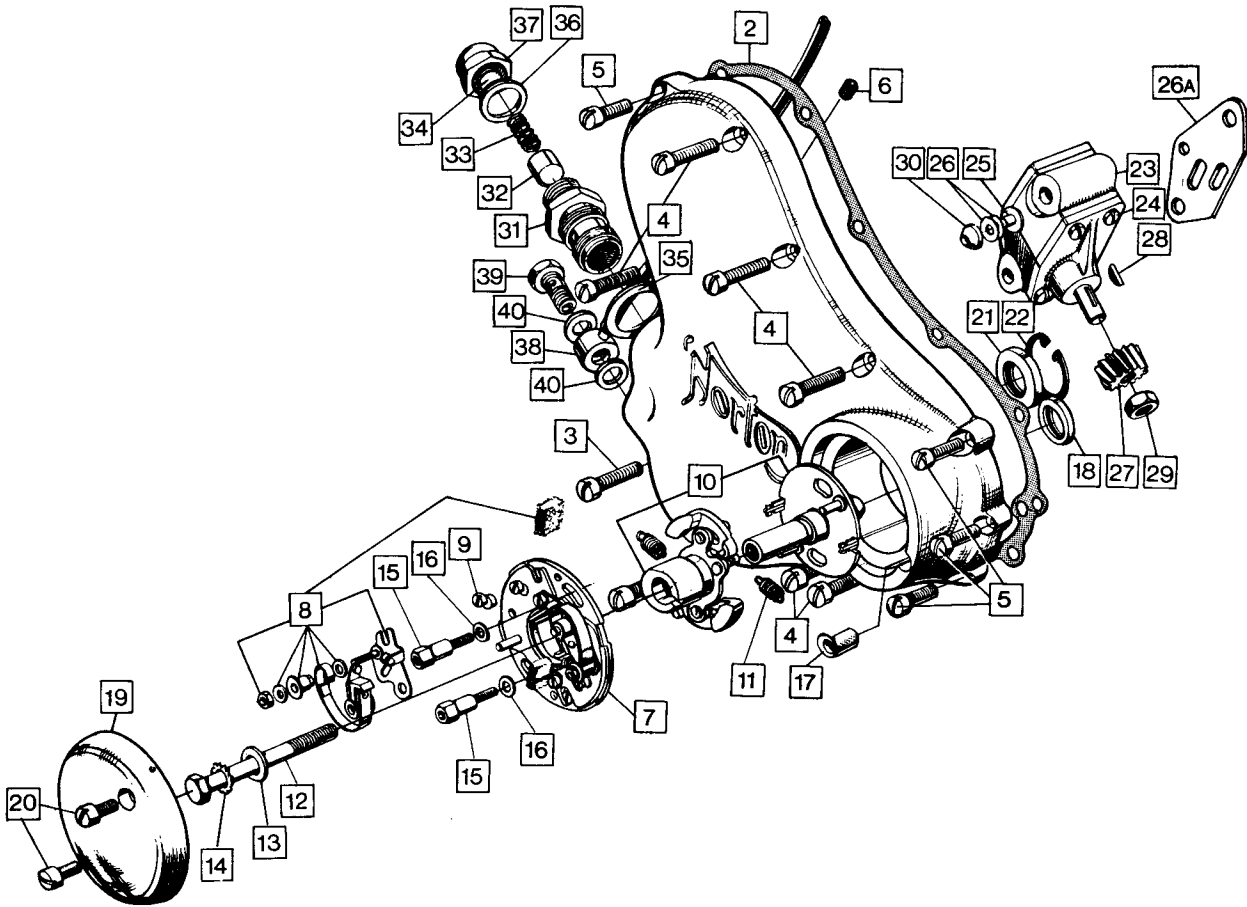
† No longer supplied seperately



Handwritten signature or initials

SECTION C3

**Engine: Contact Breaker,
Timing Cover, Oil Pump,
Oil Pressure Relief Valve**



**Engine: Contact Breaker, Timing Cover, Oil Pump,
Oil Pressure Relief Valve**

Engine: Contact Breaker, Timing Cover, Oil Pump, Oil Pressure Relief Valve

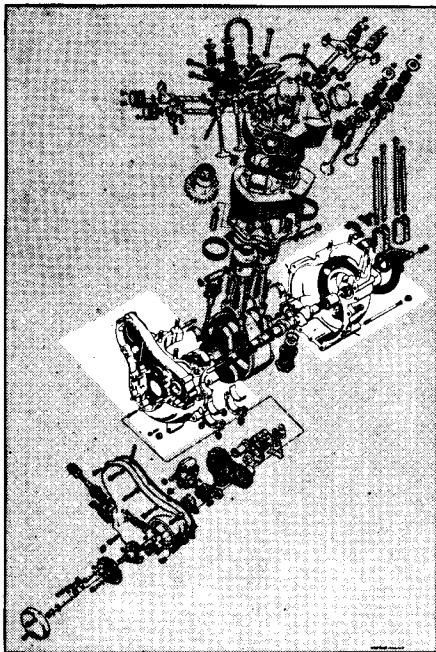
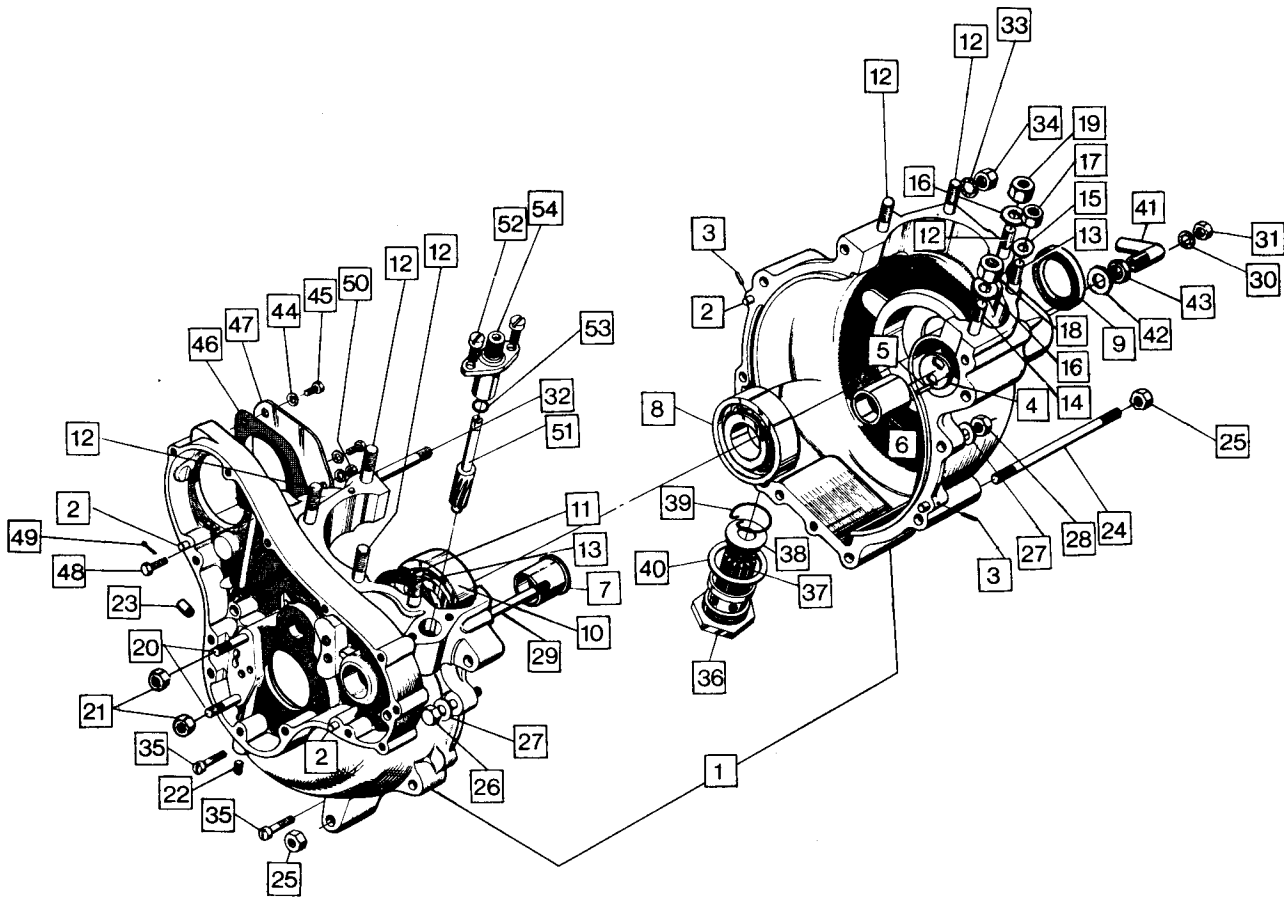
C3

Plate No.	Part No.	Description	Qty	Bin No.	Price
1	061073	Timing Cover	1
2	061092	Timing Cover Gasket	1
3	061102	Timing Cover Screw Long	1
4	061104	Timing Cover Screw Medium	7
5	061103	Timing Cover Screw Short	4
6	NME4591	Timing Cover Oilway Plug	1
7	54419097	Contact Breaker Plate Assembly	1
8	54419827	Contact Points Set	2
9	54419220	Contact Breaker Eccentric Screw	2
10	54419344	Auto Advance Mechanism	1
11	54415642	Auto Advance Spring Set	1
12	060720	Contact Breaker Cam Bolt	1
13	NMT2221	Contact Breaker Cam Washer, Plain	1
14	015306	Contact Breaker Cam Washer, Spring	1
15	061281	Contact Breaker Fixing Screw	2
16	029984	Contact Breaker Fixing Screw Washer	2
17	061093	Contact Breaker Lead Seal	1
18	034053	Contact Breaker Oil Seal	1
19	061087	Contact Breaker Cover	1
20	061105	Contact Breaker Cover Screw	2
21	048023	Oil Seal (In timing cover)	1
22	048079	Oil Seal Circlip	1
23	NM. 25396	Oil Pump Complete	1
24	NM. 15512	Oil Pump Cover Screw	4
25	NM. 15515	Oil Pump Feed Bush	1
26	*NM. 21146	Oil Pump Feed Bush Shim	2
27	NM. 24733	Oil Pump Worm Gear	1
28	NM. 17697	Oil Pump Worm Gear Key	1
29	NM. 15511A	Oil Pump Worm Gear Nut	1
30	NMT272	Feed Bush Sealing Washer	1
31	NMT2059A	Oil Pressure Relief Valve Body	1
32	NMT2054	Oil Pressure Relief Piston	1
33	NMT2061	Oil Pressure Relief Spring	1
34	NM.15404	Oil Pressure Relief Shim	5
35	NMT2058	Oil Pressure Relief Union Washer	1
36	NMT2057	Oil Pressure Relief Union Nut Washer	1
37	NMT2060	Oil Pressure Relief Body Nut	1
38	062168	Rocker Feed Pipe	1
39	NM. 18101	Banjo Bolt	3
40	NMT1084	Fibre Washer	6

* Later models dispense with shims and substitute an oil pump to crankcase gasket 062447 (illustration 26A)

SECTION C4

**Engine: Crankcases,
Crankcase Filter,
Tachometer Drive**



Engine: Crankcases, Crankcase Filter, Tachometer Drive

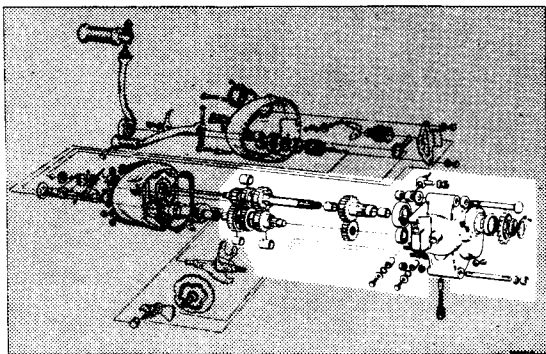
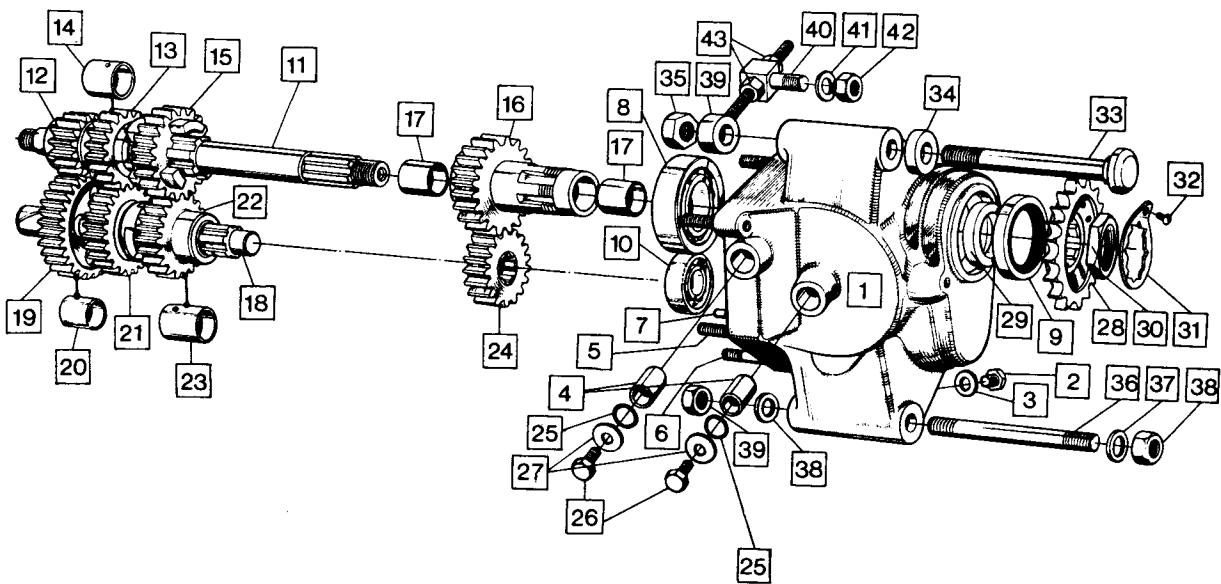
Engine: Crankcases, Crankcase Filter, Tachometer Drive

C4

Plate No.	Part No.	Description	Qty	Bin No.	Price
1	061537	Crankcase Halves Assembled	1
2	NM. 11790	Crankcase Dowel	4
3	NM. 18646	Crankcase Dowel Peg	2
4	NMT2078	Breather Plate	1
5	NMT2092	Breather Plate Peg	1
6	NMT2037	Camshaft Bush	1
7	NMT2036	Camshaft Bush	1
8	NM. 17824	Main Bearing D.S.	1
9	NMT2187	Main Bearing Oil Seal	1
10	NM. 17822	Main Bearing T.S.	1
11	NMT2008	Main Bearing Washer	1
12	NM. 24251	Cylinder Stud	6
13	NMT2209	Cylinder Stud Stepped	2
14	NM. 18943	Cylinder Stud Front	1
15	000011	Cylinder Stud Washer	2
16	NM. 24252	Cylinder Stud Washer	6
17	NMT2210	Cylinder Stud Nut	2
18	NMT2016	Cylinder Stud Nut	1
19	NM. 24250	Cylinder Stud Nut	6
20	NME4440	Oil Pump Stud	2
21	NME3231	Oil Pump Stud Nut	2
22	NME4590	Grub Screw-oil Stop	1
23	NM. 21287	Junction Block Dowel	1
24	NME3214	Crankcase Stud	1
25	NME3231	Crankcase Stud Nut	2
26	NM. 13870	Crankcase Bolt	1
27	NME5456	Crankcase Bolt Washer	2
28	NME3223	Crankcase Bolt Nut	1
29	NM. 19077	Crankcase Stud Top Front	1
30	NMT2221	Crankcase Stud Washer	1
31	NME3229	Crankcase Stud Nut	1
32	NMT2013	Crankcase Stud Top, Rear	1
33	000010	Crankcase Stud Washer	1
34	NME3224A	Crankcase Stud Nut	1
35	NM. 24689	Crankcase Screw, T.S. to D.S. at sump	2
36	NM. 16945	Sump Filter Body	1
37	NM. 16946	Sump Filter Gauze	1
38	NM. 16947	Sump Filter Washer	1
39	NM. 16948	Sump Filter Circlip	1
40	NM. 16949	Sump Filter Body Washer	1
41	NM. 24300	Release Pipe Elbow	1
42	NM. 13786	Release Pipe Elbow Washer	1
43	NM. 24303	Release Pipe Elbow Nut	1
44	000012	Washer - Blanking Plate Bolt	4
45	060633	Bolt - Blanking Plate	2
46	062548	Gasket - Blanking Plate	1
47	061542	Blanking Plate	1
48	061921	Bolt	1
49	16228	Split Pin	1
50	0700223	Nut	1
51	061089	Gear Tachometer	1
52	061106	Screw	2
53	061282	'O' ring	1
54	061090	Housing	1

SECTION C5

**Gearbox: Shell,
Gear Cluster,
Mounting Bolts
and Adjuster**



Gearbox: Shell, Gear Cluster, Mounting Bolts and Adjuster

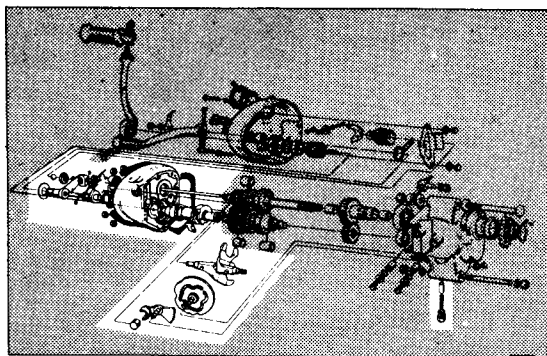
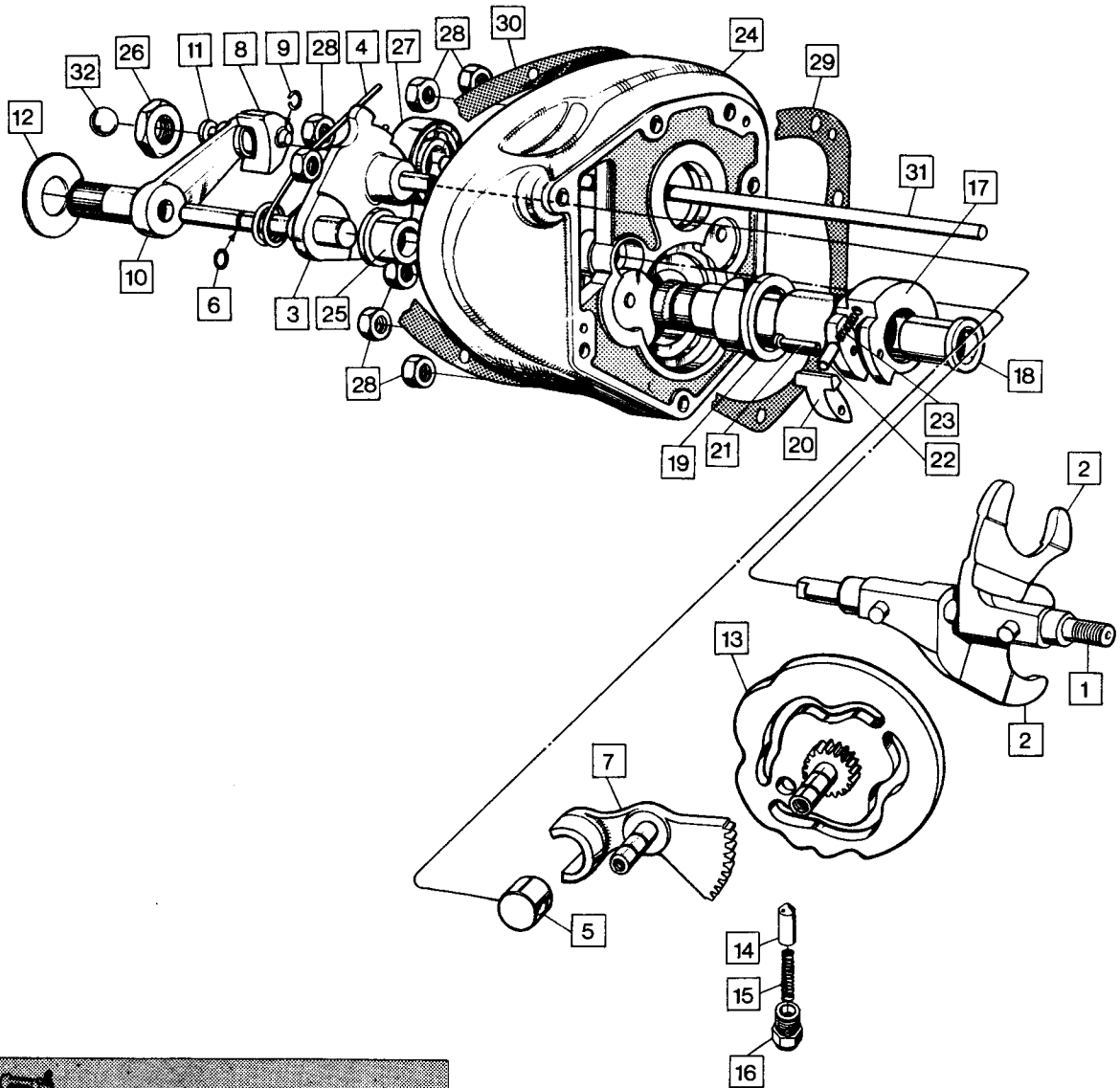
Gearbox: Shell, Gear Cluster, Mounting Bolts and Adjuster

C5

Plate No.	Part No.	Description	Qty	Bin No.	Price
1	060808	Gearbox Shell with Bushes & Studs	1
2	040138	Drain Bolt	1
3	000200	Drain Bolt Washer	1
4	040056	Bush, Quadrant and Cam Spindle	2
5	040064	Stud for Inner Case	2
6	000271	Stud for Inner Case	5
7	000577	Dowel	2
8	040098	Sleeve Gear Bearing	1
9	040132	Sleeve Gear Bearing Oil Seal	1
10	040100	Layshaft Bearing	1
11	060384	Mainshaft	1
12	040026	Mainshaft 1st Gear	1
13	040418	Mainshaft 2nd Gear	1
14	040048	Mainshaft 2nd Gear Bush	1
15	040635	Mainshaft 3rd Gear	1
16	061057	Sleeve Gear	1
17	040062	Sleeve Gear Bush	2
18	040025	Layshaft	1
19	040115	Layshaft 1st Gear with Bush	1
20	040046	Layshaft 1st Gear Bush	1
21	040019	Layshaft 2nd Gear	1
22	040634	Layshaft 3rd Gear	1
23	040047	Layshaft 3rd Gear Bush	1
24	061058	Layshaft 4th Gear	1
25	040129	'O' ring	2
26	040136	Spindle Bolt	2
27	000174	Spindle Bolt Washer	2
28	040480	Countershaft Sprocket	1
29	040131	Countershaft Sprocket Spacer	1
30	040070	Countershaft Sprocket Nut	1
31	040076	Countershaft Sprocket Nut Lock Washer	1
32	000450	Countershaft Sprocket Nut Lock Screw	1
33	NM. 14367	Gearbox Top Bolt	1
34	030023	Gearbox Top Bolt Spacer	1
35	060420	Gearbox Top Bolt Nut	1
36	060597	Gearbox Pivot Stud	1
37	000008	Gearbox Pivot Stud Washer	2
38	060625	Gearbox Pivot Stud Nut	2
39	NM. 16997	Gearbox Adjuster	1
40	060595	Gearbox Adjuster Crosshead	1
41	000010	Gearbox Adjuster Crosshead Washer	1
42	060029	Gearbox Adjuster Crosshead Nut	1
43	NME3231	Gearbox Adjuster Nut	2

SECTION C6

Gearbox: Inner Cover



Gearbox: Inner Cover

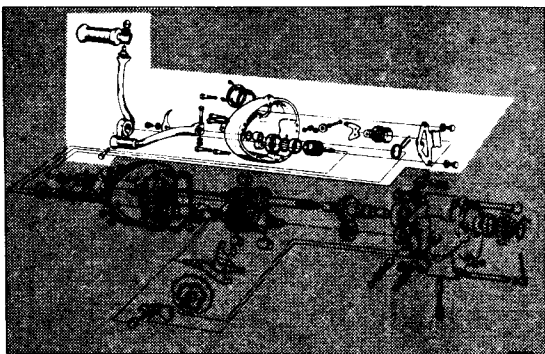
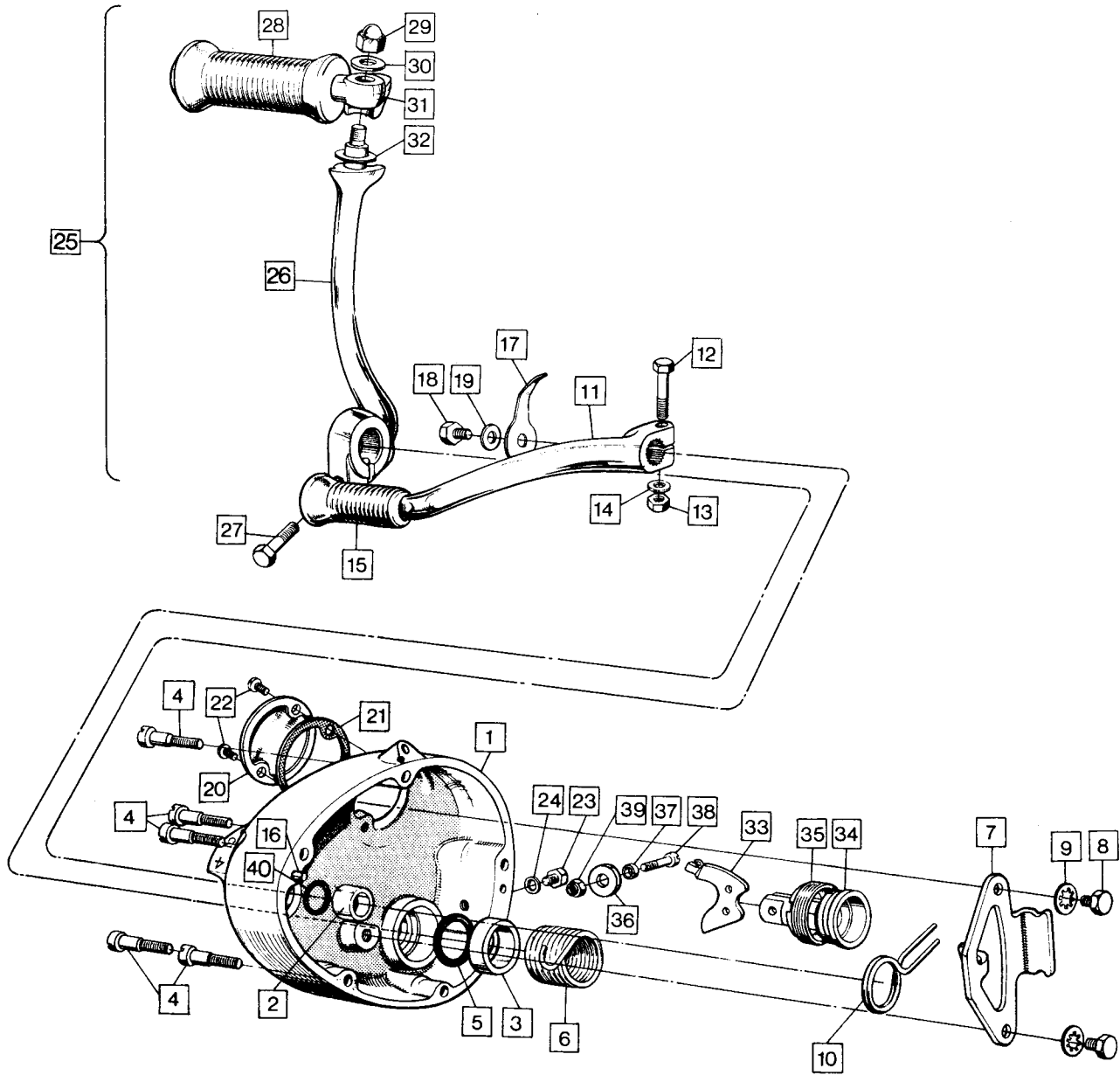
Gearbox: Inner Cover

C6

Plate No.	Part No.	Description	Qty	Bin No.	Price
1	040035	Selector Fork Spindle	1
2	040022	Selector Fork	2
3	040111	Ratchet Plate Assembled	1
4	040038	Ratchet Spring	1
5	040078	Knuckle Pin Roller	1
6	040079	Ratchet Spindle 'O' ring	1
7	040109	Quadrant	1
8	040024	Gearshift Pawl	1
9	040049	Gearshift Pawl Circlip	1
10	040110	Pawl Carrier Assembled	1
11	040067	Pawl Pivot Pin	1
12	040135	Spring Washer	1
13	040108	Camplate	1
14	040034	Cam Plunger	1
15	040442	Plunger Spring	1
16	040036	Plunger Spring Bolt	1
17	040477	Kickstart Shaft with Bush	1
18	040032	Bush, Shaft	1
19	040473	Bush, Cover	1
20	062015	Kickstart Pawl	1
21	040033	Kickstart Pawl Pin	1
22	040069	Kickstart Pawl Plunger	1
23	040044	Kickstart Pawl Spring	1
24	040467	Gearbox Inner Cover Ass.	1
25	040061	Gear Shift Inner Bush	1
26	040023	Mainshaft Nut	1
27	040099	Mainshaft Bearing	1
28	000004	Gearbox Inner Cover Stud Nut	7
29	040030	Gasket, Inner Cover to Shell	1
30	040055	Gasket, Inner Cover to Outer Cover	1
31	040084	Clutch Pushrod	1
32	040031	Clutch Operating Ball	1

SECTION C7

Gearbox : Outer Cover



Gearbox: Outer Cover

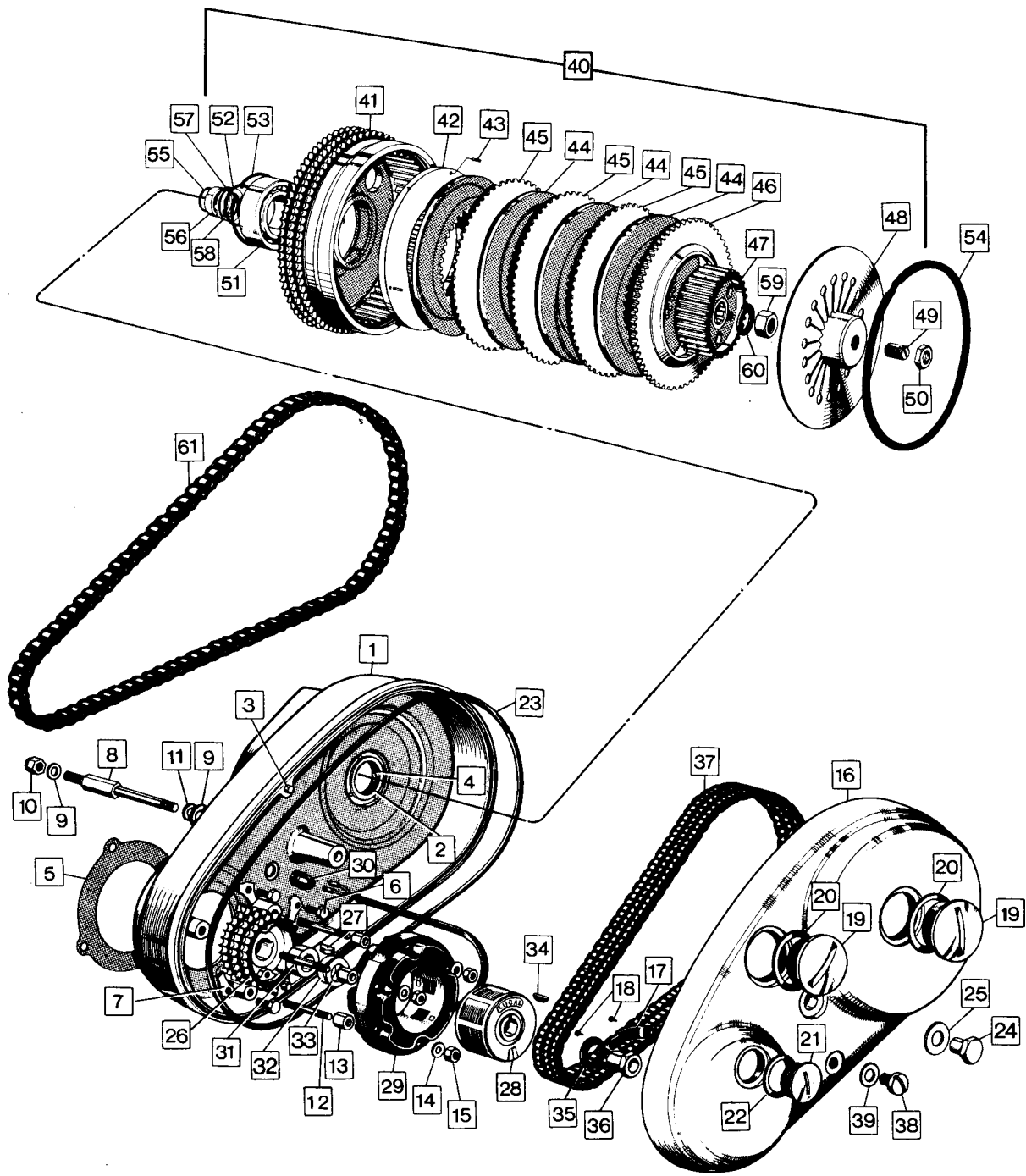
Gearbox : Outer Cover

C7

Plate No.	Part No.	Description	Qty	Bin No.	Price
1	060740	Gearbox Outer Cover	1
2	040063	Gear Shift Bush Outer	1
3	040472	Kickstart Bush Outer	1
4	000482	Outer Cover Screw	5
5	040005	Kickstart Shaft 'O' Ring	1
6	040475	Kickstart Return Spring	1
7	040052	Gearshift Stop Plate	1
8	041400	Gearshift Stop Plate Bolt	2
9	014117	Gearshift Stop Plate Washer	1
10	040479	Gearshift Return Spring	1
11	040632	Gearshift Lever, chrome	1
12	040105	Gearshift Lever Bolt	1
13	000005	Gearshift Lever Nut	1
14	045062	Gearshift Lever Washer	1
15	040086	Gearshift Lever Rubber	1
16	000577	Dowel, Outer to Inner Cover	2
17	040051	Gearshift Indicator	1
18	040137	Gearshift Indicator Bolt	1
19	000012	Gearshift Indicator Bolt Washer	1
20	041104	Inspection Cover	1
21	040057	Inspection Cover Gasket	1
22	000450	Inspection Cover Screw	2
23	040137	Oil Level Bolt	1
24	000203	Oil Level Bolt Washer	1
25	061059	Kickstart Crank Complete less Pinch Bolt and Rubber	1
26	061055	Kickstart crank only	1
27	060599	Kickstart Pinch Bolt	1
28	033218	Kickstart Rubber	1
29	060550	Domed Nut	1
30	000010	Plain Washer	1
31	042934	Pin	1
32	040433	Spring Washer	1
33	060715	Clutch Operating Lever	1
34	040059	Clutch Operating Lever Body	1
35	040003	Clutch Operating Lever Body Lockring	1
36	040060	Clutch Operating Roller	1
37	040065	Clutch Operating Roller Sleeve	1
38	000457	Clutch Operating Roller Screw	1
39	011846	Clutch Operating Roller Screw Nut	1
40	040006	'O' Ring Pawl Carrier	1

SECTION C8

**Chaincases, Chains,
Sprockets, Clutch,
Alternator**



Chaincases, Chains, Sprockets, Clutch, Alternator

Chaincases, Chains, Sprockets, Clutch, Alternator

C8

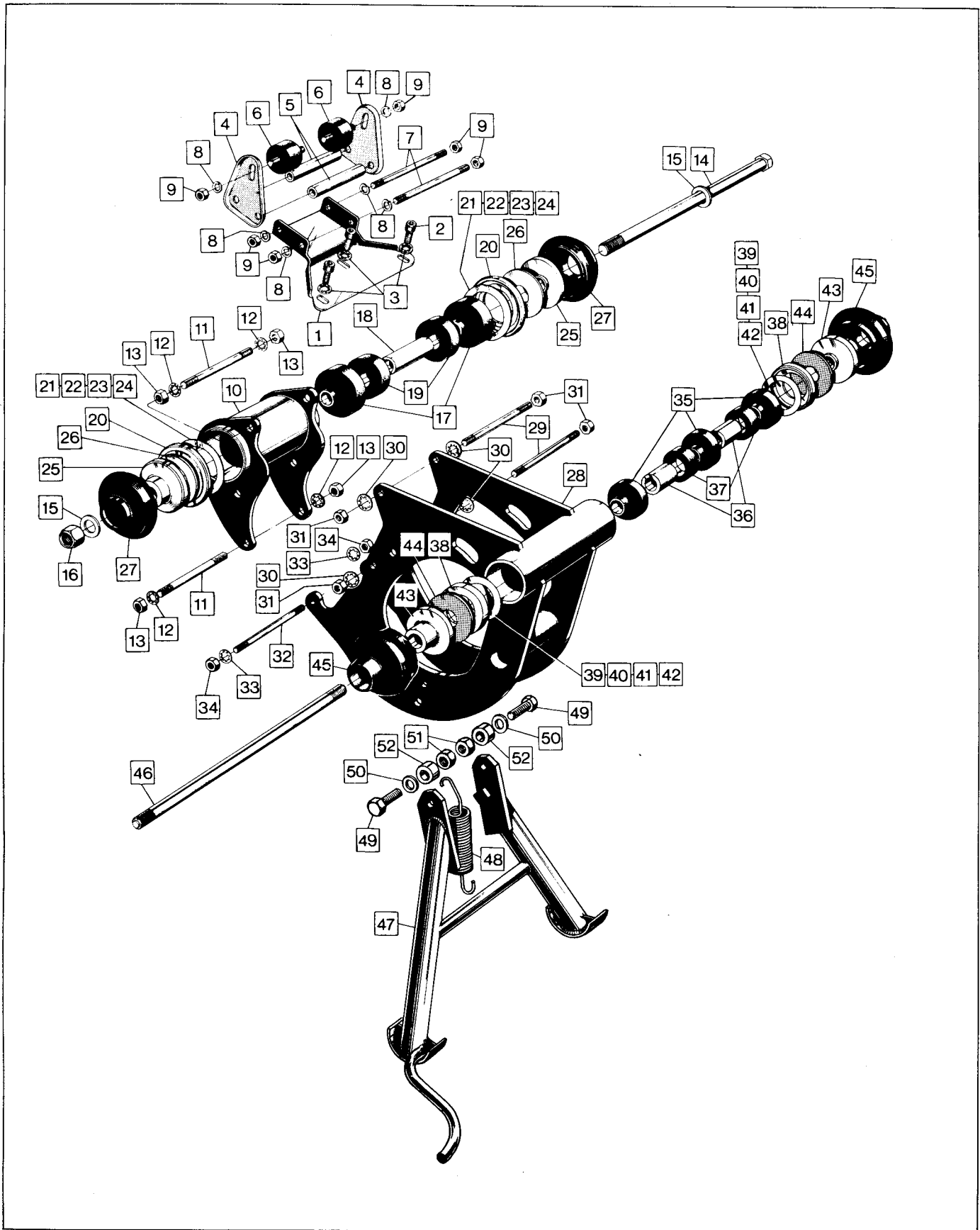
Plate No.	Part No.	Description	Qty	Bin No.	Price
1	060374	Chaincase Inner Half c/w dowels	1
2	060769	Chaincase Oil Seal Disc	2
3	024145	Chaincase Dowel	2
4	012443	Chaincase Felt Seal	1
5	060711	Chaincase to Crankcase Gasket	1
6	060375	Chaincase Fixing Bolt	3
7	060395	Chaincase Fixing Bolt Washer	3
8	060376	Chaincase Centre Stud	1
9	000010	Chaincase Centre Stud Washer	2
10	060397	Chaincase Centre Stud Nut	1
11	060399	Chaincase Centre Stud Shim	AR
12	060386	Stator Stud	3
13	060377	Stator Stud Spacer	3
14	000011	Stator Stud Washer	3
15	060700	Stator Stud Nut	3
16	061026	Chaincase Outer Half with Timing Plate	1
17	060763	Ignition Indicator Plate	1
18	060663	Hammer Drive Screw	2
19	060388	Chain Inspection Cap	2
20	042025	Chain Inspection Cap Washer	2
21	060659	Timing Inspection Cap	1
22	NM. 20842	Timing Inspection Cap Washer	1
23	060398	Chaincase Band Rubber	1
24	060367	Chaincase Attachment Nut	1
25	060368	Chaincase Attachment Nut Washer	1
26	060383	Engine Sprocket	1
27	NME3682	Engine Sprocket Key	1
28	54213901	Rotor	1
29	47205A	Stator	1
30	060903	Alternator Grommet	1
31	060402	Rotor Spacer	1
32	060665	Rotor Shim .010"	AR
33	060664	Rotor Shim .036"	AR
34	NM. 20948	Rotor Key	1
35	NM. 24948	Rotor Washer	1
36	060387	Rotor Nut	1
37	060366	Front Chain (Primary)	1
38	060389	Chaincase Oil Level Bolt	1
39	000200	Chaincase Oil Level Washer	1
40	062481	Clutch Complete	1
41	062482	Clutch Sprocket c/w Backplate	1
42	062483	Clutch Backplate	1
43	062485	Clutch Rivet	3
44	061339	Clutch Friction Plate	4
45	060746	Clutch Plain Plate	3
46	060745	Clutch Pressure Plate	1
47	060743	Clutch Centre	1
48	060770	Clutch Spring Plate with Centre	1
49	061179	Clutch Adjuster	1
50	060005	Clutch Adjuster Nut	1
51	060750	Clutch Bearing	1
52	060753	Clutch Bearing Inner Circlip	1
53	060754	Clutch Bearing Outer Circlip	1
54	060751	Clutch Spring Circlip	1
55	060752	Clutch Location Circlip	1
56	060747	Clutch Location Spacer	1
57	060894	Clutch Location Shim .036"	AR
58	060895	Clutch Location Shim .048"	AR
59	040373	Clutch Fixing Nut	1
60	040374	Clutch Fixing Nut Washer	1
61	017376	Rear Chain	1

Norton

**750
COMMANDO**

SECTION C9

**Engine Mountings,
Head Steady,
Centre Stand**



Engine Mountings, Head Steady, Centre Stand

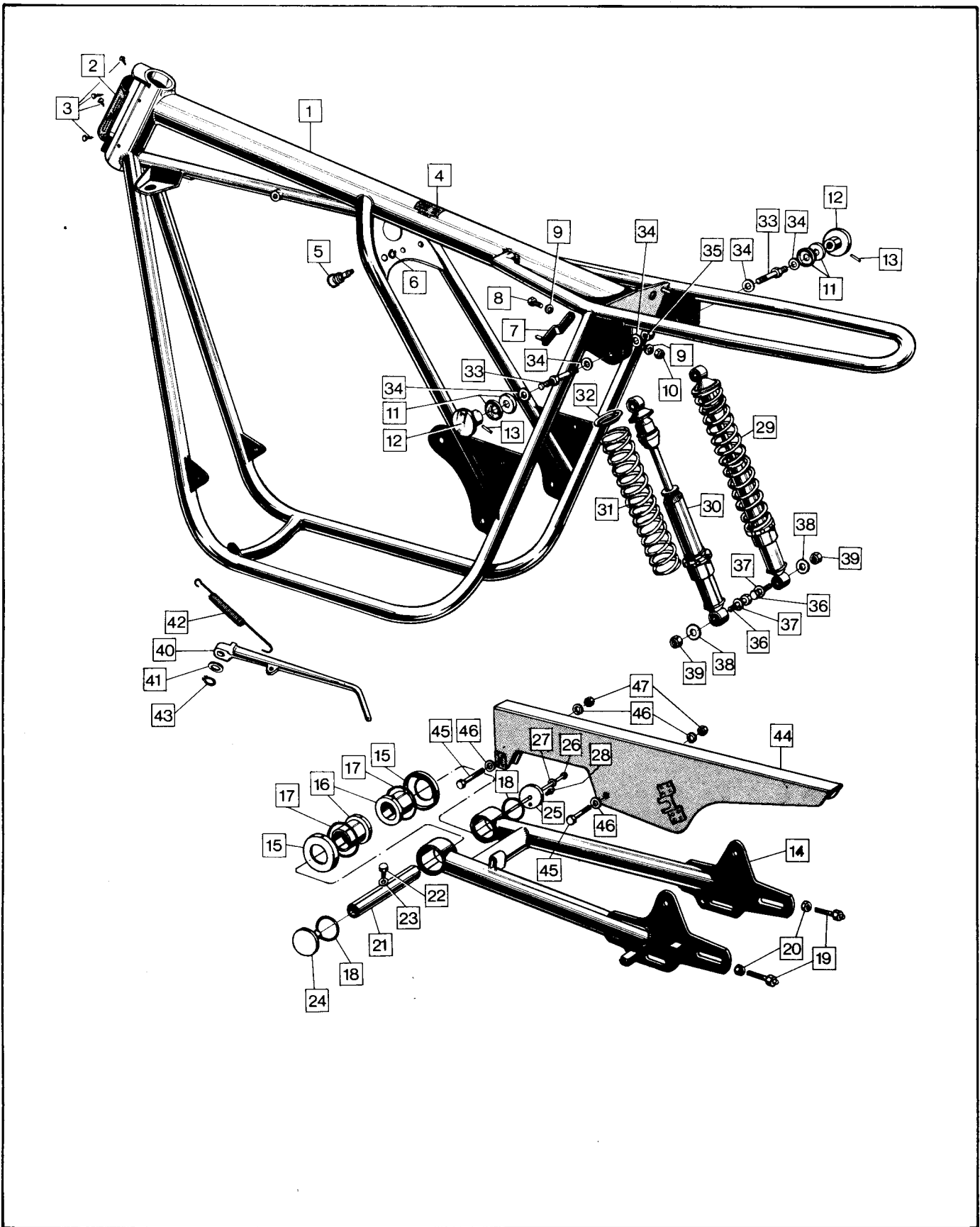
Engine Mountings, Head Steady, Centre Stand

C9

Plate No.	Part No.	Description	Qty	Bin No.	Price
1	060489	Engine Steady	1
2	NM. 19437	Engine Steady to Head Screw	3
3	014117	Engine Steady Screw Washer	3
4	061128	Engine Steady Side Plate	2
5	060490	Engine Steady Spacer	2
6	060622	Engine Steady Rubber Mounting	2
7	060493	Engine Steady Stud	2
8	000192	Engine Steady Stud Washer	6
9	060348	Engine Steady Stud Nut	6
10	061410	Front Engine Mounting	1
11	060430	Front Engine Plate Stud	2
12	014119	Front Engine Plate Washer	4
13	060029	Engine Front Plate Nut	4
14	060423	Front Engine Plate Bolt to Frame	1
15	000008	Front Engine Plate Bolt Washer	2
16	062443	Front Engine Plate Bolt Nut	1
17	061226	Front Engine Mounting Bush	2
18	061277	Front Engine Mounting Spacer	1
19	061278	Front Engine Mounting Buffer	2
20	060684	Front Engine Mounting Tube Cap	2
21	060686	Front Engine Mounting Shim .005"	AR
22	060687	Front Engine Mounting Shim .010"	AR
23	060688	Front Engine Mounting Shim .020"	AR
24	060689	Front Engine Mounting Shim .030"	AR
25	060422	Front Engine Mounting Collar	2
26	060578	Front Engine Mounting Washer (Polyurethane)	2
27	060773	Front Engine Mounting Gaiter	2
28	061411	Rear Engine Mounting	1
29	060431	Rear Engine Plate Stud	2
30	014119	Rear Engine Plate Washer	4
31	060029	Rear Engine Plate Nut	4
32	060624	Rear Engine Plate Stud Bottom	1
33	014117	Rear Engine Plate Stud Washer	2
34	060348	Rear Engine Plate Stud Nut	2
35	061227	Rear Engine Mounting Rubber	3
36	061279	Rear Engine Mounting Spacer	2
37	061280	Rear Engine Mounting Buffer	2
38	060685	Rear Engine Mounting Tube Cap	2
39	060775	Rear Engine Mounting Shim .005"	AR
40	060776	Rear Engine Mounting Shim .010"	AR
41	060777	Rear Engine Mounting Shim .020"	AR
42	060778	Rear Engine Mounting Shim .030"	AR
43	060436	Rear Engine Mounting Collar	2
44	060578	Rear Engine Mounting Washer (Polyurethane)	2
45	060774	Rear Engine Mounting Gaiter	2
46	062442	Rear Engine Mounting Stud	1
47	062192	Centre Stand	1
48	062514	Centre Stand Spring	1
49	062040	Centre Stand Bolt	2
50	000009	Centre Stand Washer	2
51	061702	Centre Stand Nut	2
52	061999	Centre Stand Spacer	2

SECTION C10

**Frame,
Swinging Arm,
Suspension Units**



Frame, Swinging Arm, Suspension Units

Frame, Swinging Arm, Suspension Units

C10

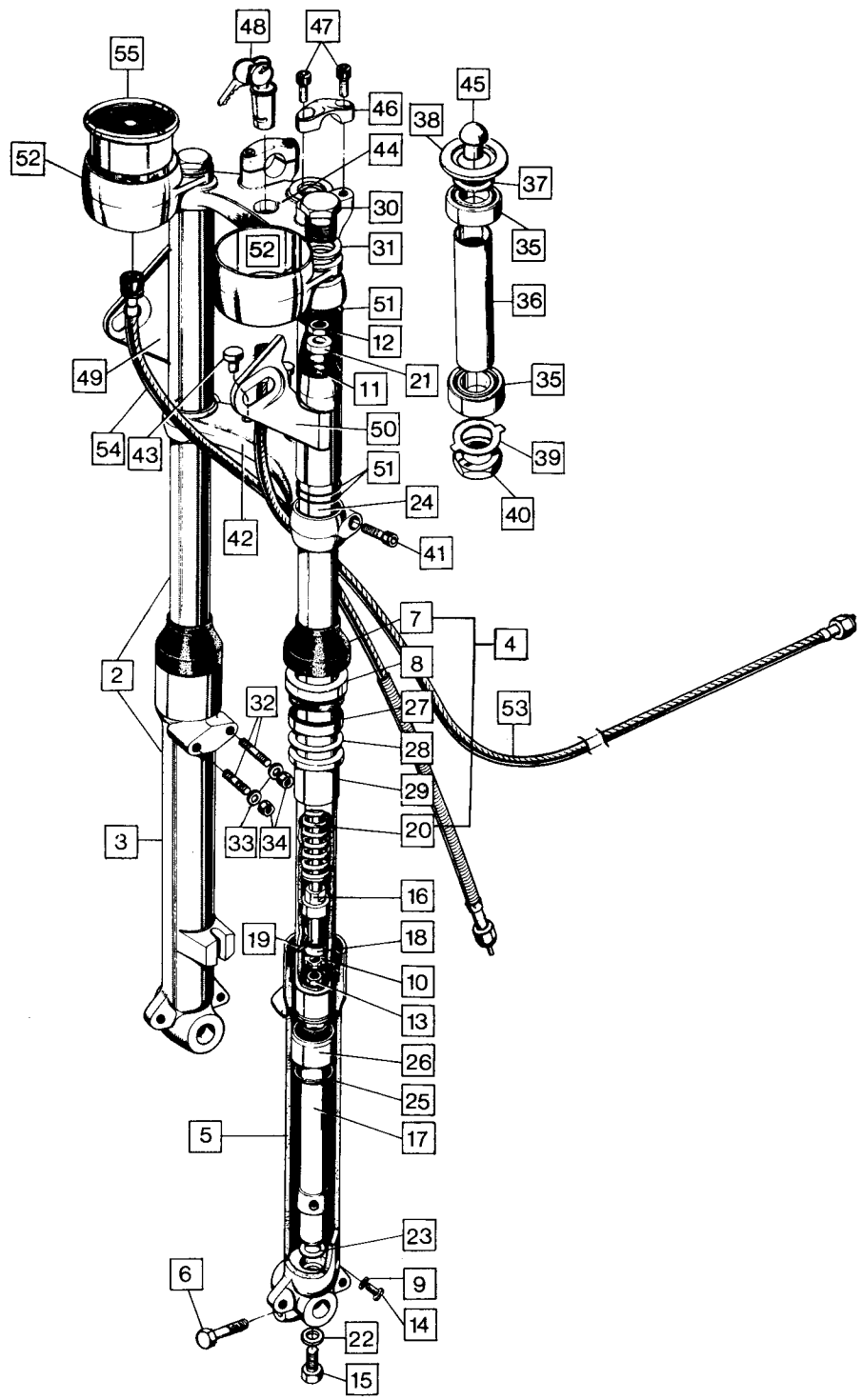
Plate No.	Part No.	Description	Qty	Bin No.	Price
1	062002	Frame	1
2	061441	Label (Certification)	1
3	061287	Rivet	4
4	030461	Decal	1
5	062489	Dzus Fastener Assembled	1
6	061341	Circlip, Fastener	1
7	061204	Panel Support Bracket	1
8	060327	Bracket Bolt	1
9	000012	Bracket Washer	2
10	033057	Bracket Nut	1
11	NME6742	Washer (Lipped)	4
12	060647	Knurled Nut (Dual Seat)	2
13	060695	Pin for Nut	2
14	060441	Swinging Arm	1
15	060446	Cover, Dust	2
16	060447	Bearing	2
17	060448	'O' Ring	2
18	060449	'O' Ring	2
19	060650	Chain Adjuster	2
20	060651	Adjuster Nut	2
21	060453	Pivot Spindle	1
22	060327	Bolt	1
23	000012	Washer	1
24	060869	End Cap	1
25	060868	End Cap	1
26	060873	End Cap Rod	1
27	060871	Washer	1
28	000051	Grease Nipple	1
29	062179	Suspension Unit Complete	2
30	062177	Damper Only	2
31	062178	Spring	2
32	062290	Collar	4
33	060465	Suspension Unit Top Bolt	2
34	000010	Suspension Unit Bolt Washer	6
35	060029	Suspension Unit Bolt Nut	2
36	060463	Suspension Unit Bottom Bolt	2
37	NM. 22636	Suspension Unit Bottom Washer	2
38	NM. 23298	Suspension Unit Bottom Washer	2
39	060029	Suspension Unit Bottom Nut	2
40	062001	Prop Stand	1
41	062723	Washer	1
42	062515	Prop Stand Spring	1
43	019512	Stand Circlip	1
44	061865	Chainguard	1
45	060459	Bolt, Chainguard	2
46	000012	Washer	4
47	033057	Nut	2

SECTION C11

**Front Forks,
Steering Lock,
Steering Head Bearing,
Tachometer,
Instrument Cases**

**FORK
COMPLETE**

1



**Front Forks, Steering Lock, Steering Head Bearing,
Tachometer, Instrument Cases**

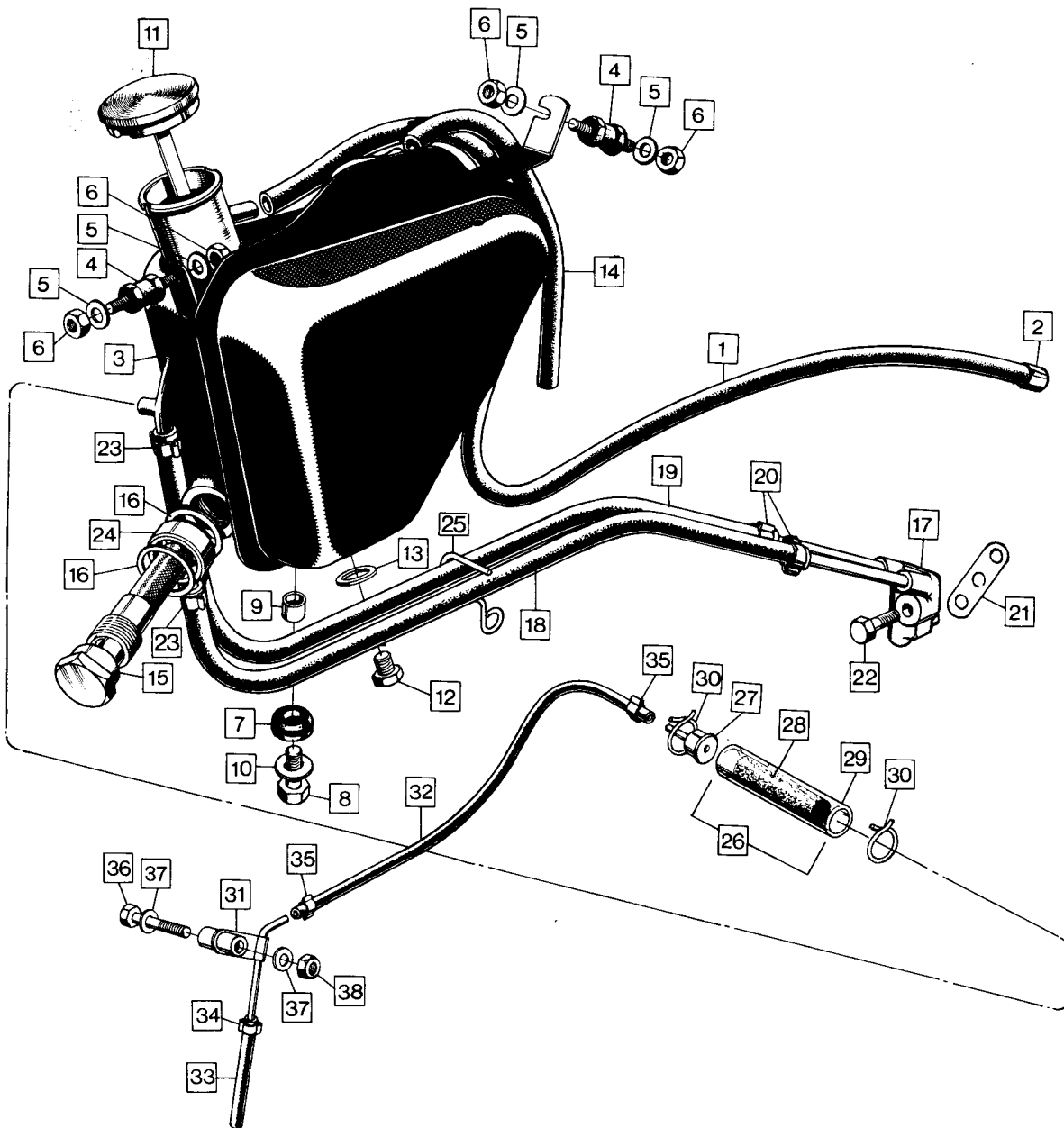
Front Forks, Steering Lock, Steering Head Bearing, Tachometer, Instrument Cases

C11

Plate No.	Part No.	Description	Qty	Bin No.	Price
1	062487	Fork Assembly Complete	1
2	061564	Right Hand Leg Assembly	1
3	060352	Right Hand Slider	1
4	061563	Left Hand Leg Assembly	1
5	060351	Left Hand Slider	1
6	062465	Pinch Bolt	1
7	061115	Gaiter	2
8	061137	Collar	2
9	000203	Washer	2
10	030584	Damper Rod Seat	2
11	060346	Damper Rod	2
12	060347	Damper Rod Cap Nut	2
13	060348	Damper Rod Locknut	2
14	060354	Slider Drain Plug	2
15	060359	Damper Tube Anchor Bolt	2
16	061347	Damper Tube Cap	2
17	061888	Damper Tube	2
18	NM. 14118B	Damper Valve	2
19	NM. 14119	Damper Valve Stop Pin	2
20	NM. 18813	Fork Spring	2
21	NM. 25003	Fork Spring Locating Bush	2
22	NMT1009	Damper Tube Anchor Bolt Washer	2
23	NMT814	Damper Tube Anchor Bolt Washer	2
24	061114	Main Tube	2
25	NM. 14298	Fork Tube Bush Circlip	2
26	NMT1048	Fork Tube Bush	2
27	NM. 17713	Oil Seal	2
28	NMT1049	Oil Seal Washer	2
29	NMT1055	Fork Tube Guide Bush	2
30	060345	Fork Tube Top Bolt	2
31	NMT320	Washer	2
32	060356	Stud	4 (not SS)
33	000012	Washer	4 (not SS)
34	060355	Nut	4 (not SS)
35	0700099	Steering Head Bearing	2
36	0700100	Bearing Spacer	1
37	NM. 17429	Washer	1
38	NM. 15628	Cover	1
39	061912	Washer	1
40	0700101	Nut	1
41	061911	Socket Screw	2
42	061916	Lower Yoke	1
43	062332	Plug for Lower Yoke	2 (not SS)
44	061915	Upper Yoke with Stem	1
45	062305	Stem Blanking Plug	1
46	NM. 19021A	Clip	2
47	060333	Screw	4
48	030175	Lock/Keys	1
49	062028	Right Hand Headlamp Bracket & Top Cover	1
50	062029	Left Hand Headlamp Bracket & Top Cover	1
51	061900	'O' Ring	6
52	060510	Instrument Case	2
53	NM. 25087	Speedometer Cable	1
54	061118	Tachometer Cable	1
55	062279	Tachometer Head	1

SECTION C12

**Oil Tank, Oil Pipes,
Junction Block,
Rear Chain Oiler**



Oil Tank, Oil Pipes, Junction Block, Rear Chain Oiler

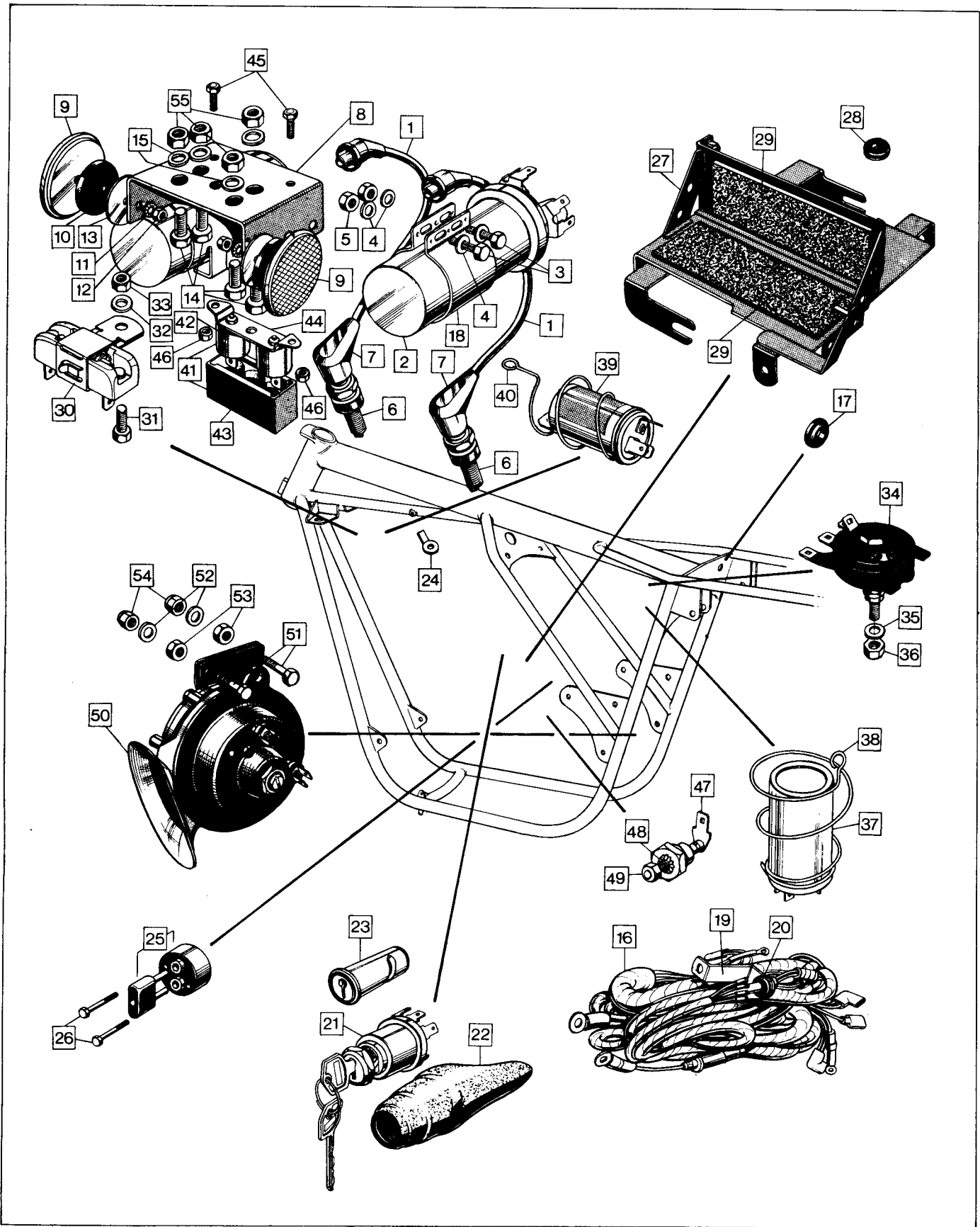
Oil Tank, Oil Pipes, Junction Block, Rear Chain Oiler

C12

Plate No.	Part No.	Description	Qty	Bin No.	Price
1	061876	Breather Pipe	1
2	060576	Pipe Ferrule	1
3	061856	Oil Tank	1
4	060636	Oil Tank Mounting	2
5	000012	Washer	4
6	033057	Nut	4
7	060811	Mounting Rubber	1
8	060652	Bolt	1
9	061650	Spacer	1
10	000012	Washer	2
11	061649	Cap	1
12	060668	Plug	1
13	000200	Washer	1
14	062283	Breather Hose (8½ in.)	1
15	061159	Filter	1
16	042065	Washer	2
17	062206	Oil Junction Block	1
18	062201	Feed Pipe (15 in.)	1
19	062200	Return Pipe (17 in.)	1
20	062572	Clip	2
21	032044	Gasket	1
22	030448	Bolt	1
23	062202	Clip	2
24	062207	Banjo	1
25	061677	Clip	1
26	061669	Chain Oiler Regulator	1
27	060884	Regulator End	1
28	060887	Regulator Felt	1
29	062496	Tube (3.375 in.)	1
30	060886	Clip	2
31	060881	Bracket	1
32	062084	Pipe - (12 in.)	1
33	062085	Pipe - (3 in.)	1
34	060920	Clip	2
35	060921	Clip	1
36	060459	Oiler Bracket Bolt	1
37	000012	Washer	1
38	033057	Nut	1

SECTION C13

Basic Electrical Components



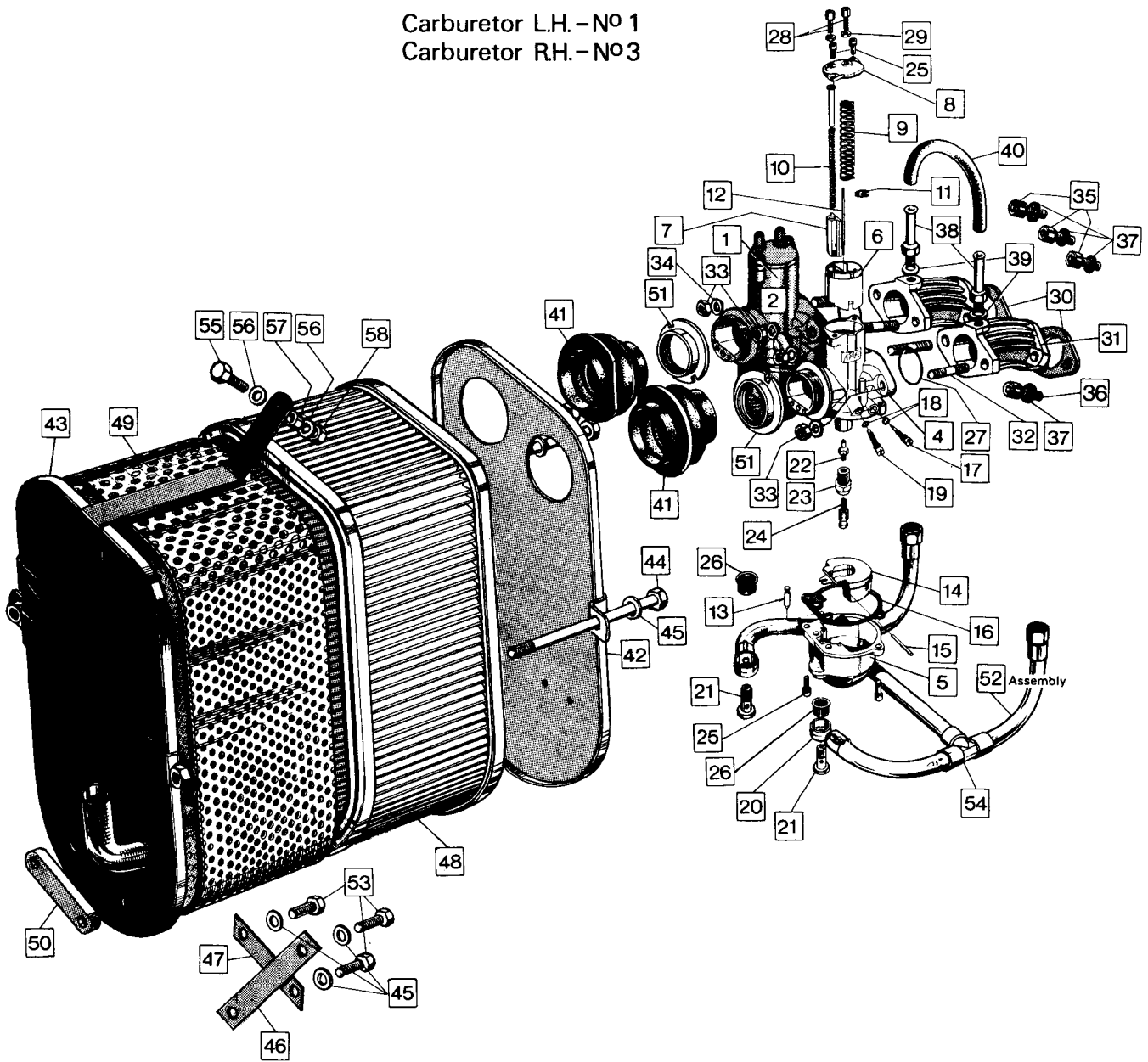
Basic Electrical Components

Plate No.	Part No.	Description	Qty	Bin No.	Price
1	062263	Lead H.T.	2
2	062092	Coil with Bracket (Lucas Type 17M6)	2
3	0700117	Bolt	4
4	000012	Washer	4
5	033057	Nut	8
6	062348	Spark Plug N7Y	2
7	032221	Plug Cap	2
8	062231	Bracket Coil	1
9	062008	Reflector, Amber	2
10	060648	Rubber	2
11	22401	Washer	2
12	M1002/15E	Nut	2
13	014999	Large Plain Washer	2
14	060865	Bolt	4
15	000012	Washer	4
16	062089	Wiring Harness	1
17	019490	Grommet	1
18	061378	Clip	1
19	060693	Bracket, Stop Light Lead	1
20	NM. 18285	Grommet	2
21	062058	Switch, Master	1
22	062061	Ignition Switch Cover	1
23	033044	Lock Complete with Keys	1
24	062259	Blade	1
25	062099	Plug/Socket	1
26	062100	Screw	2
27	062557	Tray, Battery	1
28	062571	Grommet	1
29	062602	Rubber	2
30	062098	Resistor, Ballast	1
31	0700117	Bolt	1
32	000012	Washer	1
33	033057	Nut	1
34	49072	Rectifier	1
35	000012	Washer	1
36	033057	Nut	1
37	031075	Capacitor 2MC	1
38	061628	Spring	1
39	062054	Warning Light Assimilator	1
40	062055	Spring	1
41	062248	Capacitor Pack	1
42	54420128	Capacitor	2
43	54418528	Cover	1
44	54418526	Base Plate	1
45	25607	Screw	2
46	NM. 22061	Nut	2
47	49345	Zener Diode	1
48	015306	Washer	5
49	033057	Nut	1
50	032010	Horn	1
51	060652	Bolt Horn	2
52	000012	Plain Washer	2
53	033057	Nut	2
54	062240	Nut	2
55	062556	Terminal Blade	1

SECTION C14

**Carburetors, Fuel Lines,
Air Filter,
Carburetor Mountings**

Carburetor L.H. - No 1
Carburetor R.H. - No 3



Carburetors, Fuel Lines, Air Filter, Carburetor Mountings

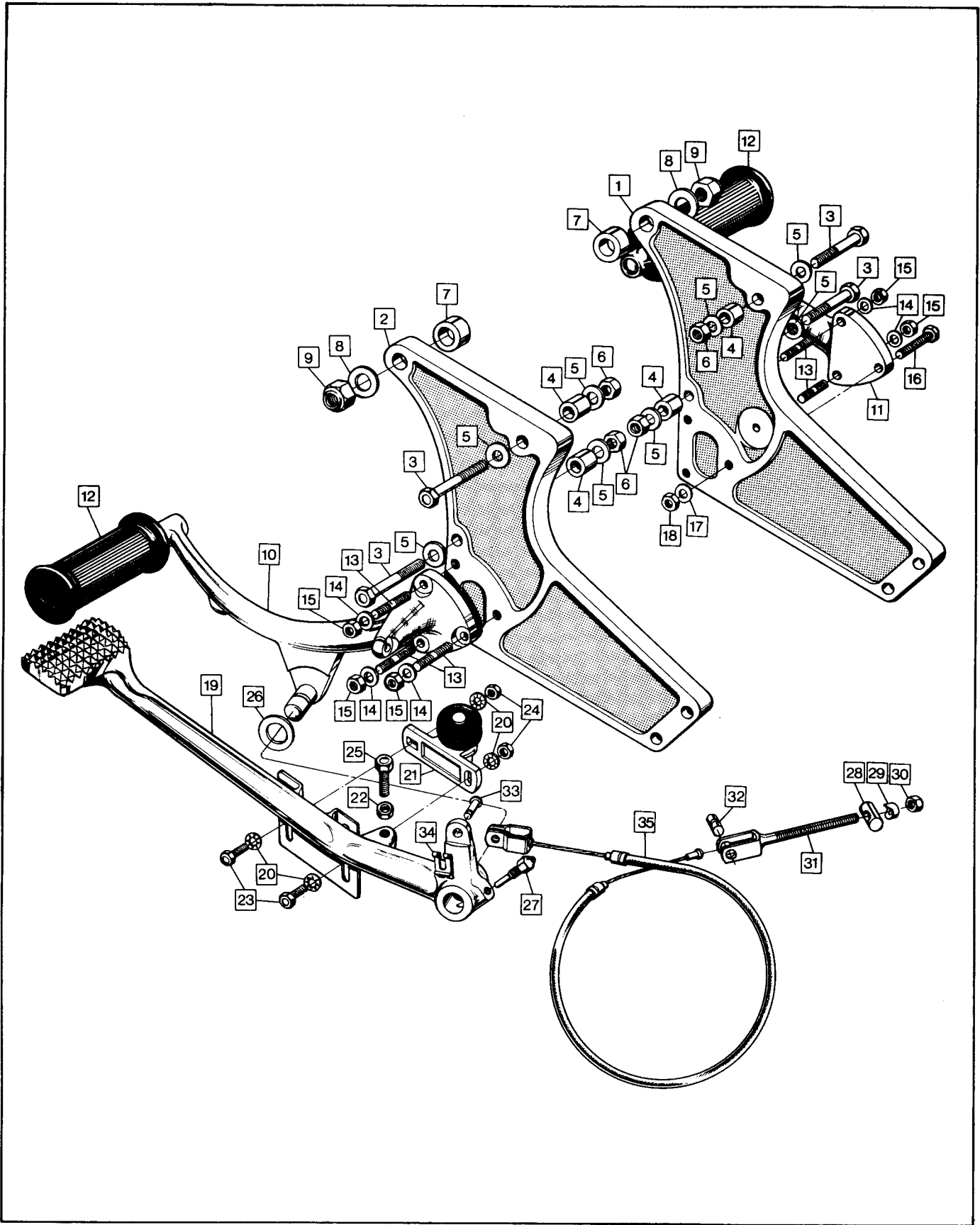
Carburetors, Fuel Lines, Air Filter, Carburetor Mountings

C14

Plate No.	Part No.	Description	Qty	Bin No.	Price
1	062359	Carburetor L.H. L930/64	1
2	L930/005	Mixing Chamber L.H.	1
3	062360	Carburetor R.H. R930/63	1
4	R930/005	Mixing Chamber R.H.	1
5	622/050	Float Chamber Body	2
6	928/060	Throttle Valve (Quote Size)	2
7	928/062	Air Valve	2
8	928/064	Mixing Chamber Top	2
9	622/131	Throttle Valve Spring	2
10	622/129	Air Valve Spring	2
11	622/067	Needle Clip	2
12	622/124	Throttle Needle	2
13	622/068	Float Needle	2
14	622/069	Float	2
15	622/071	Float Spindle	2
16	622/073	Float Chamber Washer	2
17	622/076	Pilot Air Screw	2
18	622/082	Friction Ring	2
19	622/077	Throttle Stop	2
20	376/097	Banjo	2
21	622/078	Banjo Bolt	2
22	622/122	Needle Jet	2
23	622/128	Jet Holder	2
24	376/100	Main Jet (Quote Size)	2
25	622/086	Screw-Float Chamber & Carburetor Top	8
26	376/093	Filter	2
27	033281	'O' Ring	2
28	4/035	Cable Adjuster	4
29	5/077	Adjuster Locknut	4
30	NM. 23358	Carburetor Heat Insulator	2
31	060509	Carburetor Spacer	2
32	060577	Carburetor Stud	4
33	060348	Carburetor Stud Nut	4
34	NM. 22528	Carburetor Stud Washer	4
35	NM. 23412	Carburetor Fixing Screw	3
36	NM. 21248	Carburetor Fixing Screw	1
37	11796	Carburetor Fixing Screw Washer	4
38	060670	Balance Pipe Union	2
39	NM. 11775	Balance Pipe Union Washer	2
40	062284	Balance Pipe Hose	1
41	062537	Hose	2
42	062266	Front Plate	1
43	061694	Back Plate	1
44	060900	Bolt	2
45	000012	Washer	5
46	060925	Locking Plate	1
47	060926	Locking Plate	1
48	060673	Air Cleaner Element	1
49	060816	Perforated Plate	1
50	061361	Spacer	1
51	033027	Air Cleaner Adaptor Sleeve	2
52	061440	Gas Pipe Assembly	1
53	060327	Air Cleaner Fixing Bolt	3
54	062334	T Piece for Fuel Pipe	2
55	060617	Bolt	1
56	000012	Plain washer	2
57	062170	Spacer	1
58	033057	Nut	1

SECTION C15

**Support Plates,
Riders Footpegs,
Rear Brake Pedal
and Linkage**



Support Plates, Riders Footpegs, Rear Brake Pedal and Linkage

Support Plates, Riders Footpegs, Rear Brake Pedal and Linkage

C15

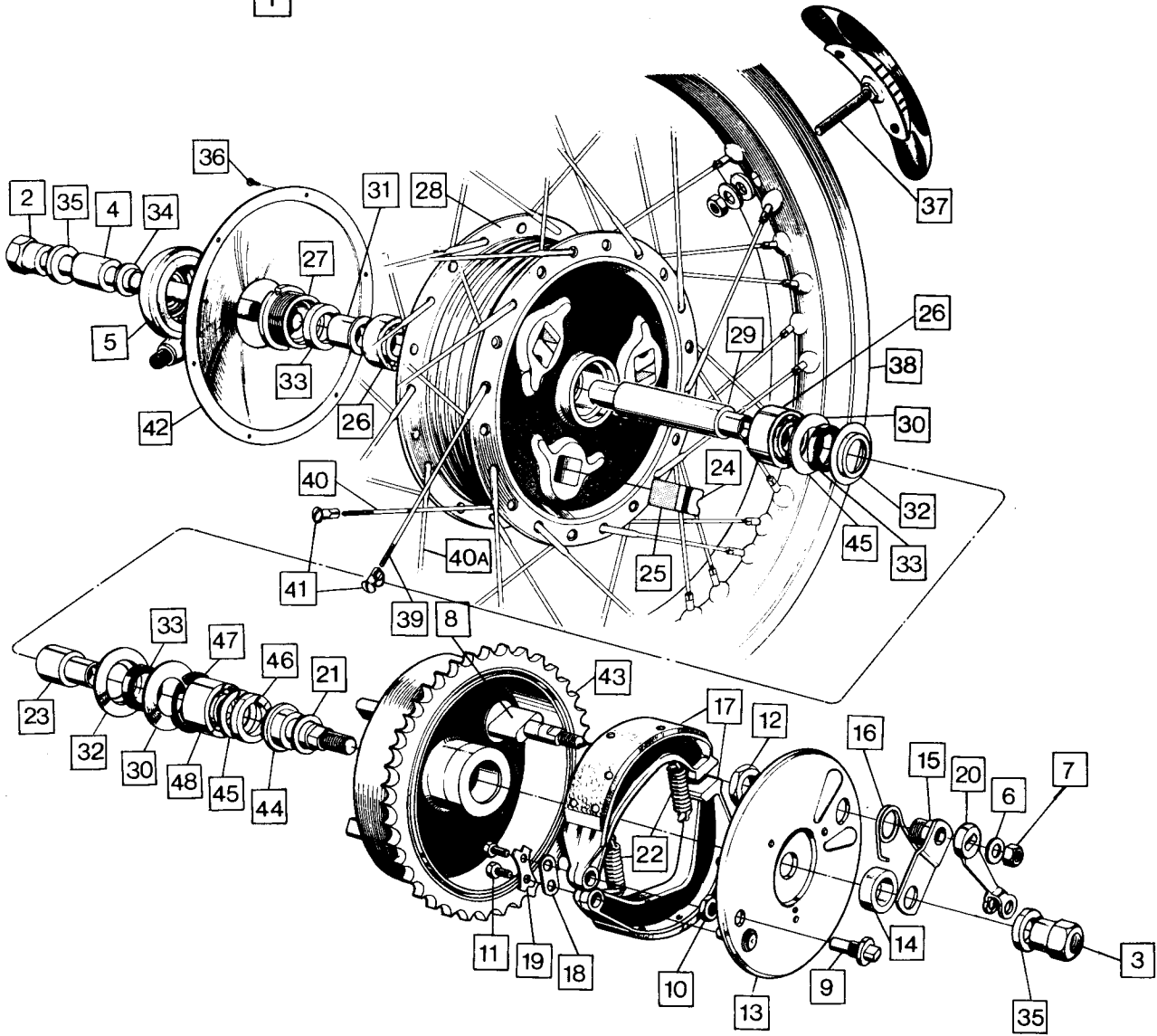
Plate No.	Part No.	Description	Qty	Bin No.	Price
1	061228	Right hand support plate	1
2	060944	Left hand support Plate	1
3	060858	Bolt	4
4	060472	Spacer	4
5	000010	Washer	8
6	060029	Nut	4
7	060471	Engine mounting stud washer	2
8	000008	Footrest Support Washer	2
9	062443	Footrest Support Nut	2
10	061052	Left hand Footpeg	1
11	061053	Right hand Footpeg	1
12	NM. 19983	Footrest Rubber	2
13	060626	Footrest Mounting Stud	5
14	000011	Washer	5
15	060348	Nut	5
16	061246	Footrest Mounting Bolt	1
17	000011	Washer	2
18	061247	Nut	1
19	061054	Rear Brake Pedal	1
20	000039	Stop Switch Washer	4
21	031621	Stop Lamp Switch	1
22	060651	Stop Bolt Nut	1
23	060677	Stop Switch Screw	2
24	060678	Stop Switch Nut	2
25	060943	Stop Bolt	1
26	021590	Brake Pedal Pivot Washer	1
27	060481	Bolt (Grease Nipple)	1
28	060780	Rear Brake Lever Roller	1
29	060781	Rear Brake Adjusting Collar	1
30	060797	Rear Brake Adjuster Nut	1
31	060796	Rear Brake Cable Yoke	1
32	060806	Rear Brake Cable Trunnion	1
33	060552	Rear Brake Cable Pin	1
34	060553	Spring Clip	1
35	060482	Rear Brake Cable	1

SECTION C16

Rear Wheel

RIM AND HUB ASSEMBLY

1



Rear Wheel

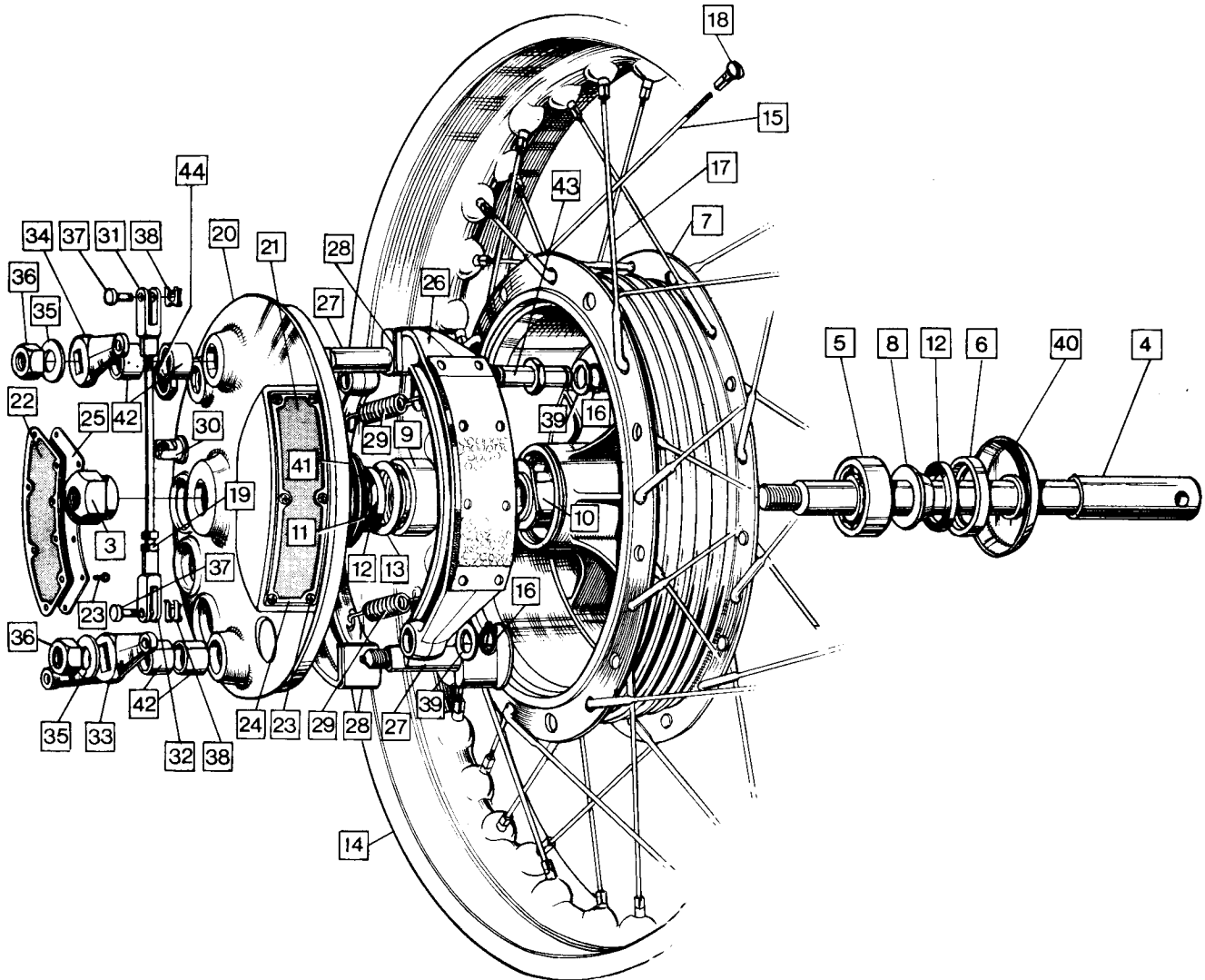
Rear Wheel C16

Plate No.	Part No.	Description	Qty	Bin No.	Price
1	062079	Rim and hub assembly	1
2	060289	Wheel Axle	1
3	060292	Wheel Axle Nut	1
4	060324	Axle Spacer	1
5	060627	Speedometer Gearbox	1
6	000010	Washer	1
7	060029	Nut	1
8	060314	Brake Cam	1
9	060325	Torque Stop Pin	1
10	060326	Torque Stop Pin Nut	1
11	060327	Bolt	2
12	060329	Cam Bearing Nut	1
13	060332	Cover Plate Assembled	1
14	060334	Cover Plate Outer Spacer	1
15	060701	Bearing Cam and Stay	1
16	060704	Lever Return Spring	1
17	060828	Brake Shoe c/w Lining	2
18	NM. 14454	Plate	1
19	NM. 14506	Washer	1
20	NM. 19765	Lever	1
21	NM E5276	Washer	AR
22	NM E5832	Spring	2
23	062070	Left Hand Bearing Spacer	1
24	062074	Cush Drive Buffer (Thick)	3
25	062075	Cush Drive Buffer (Thin)	3
26	040100	Bearing	2
27	060317	Lockring	1
28	062063	Hub Shell	1
29	062069	Inner Bearing Spacer	1
30	062071	Felt Retaining Washer	1
31	NM.18234	Spacer	1
32	NM. 19714	Dished Washer	2
33	NM E6885	Seal	2
34	NM. 13270	Spacer - Speedometer Gearbox	1
35	NM. 19266	Washer, Spindle	2
36	060787	Disc Screw	6
37	017060	Security Bolt	1
38	NM. 18350	Rim WM2 - 19	1
39	NM. 20063	Spoke	20
40	NM. 20061	Spoke, inner L.H.	10
40A	062527	Spoke, inner R.H.	10
41	021693	Nipple	40
42	062082	Rear Hub Disc	1
43	062764	Brake Drum	1
44	062067	Dummy Axle	1
45	062072	Felt Retaining Washer	1
46	062073	Felt Seal	1
47	062090	Circlip	1
48	NM. 17721	Bearing	1

SECTION C17

Front Wheel

FRONT WHEEL COMPLETE 1
FRONT WHEEL BARE 2



Front Wheel

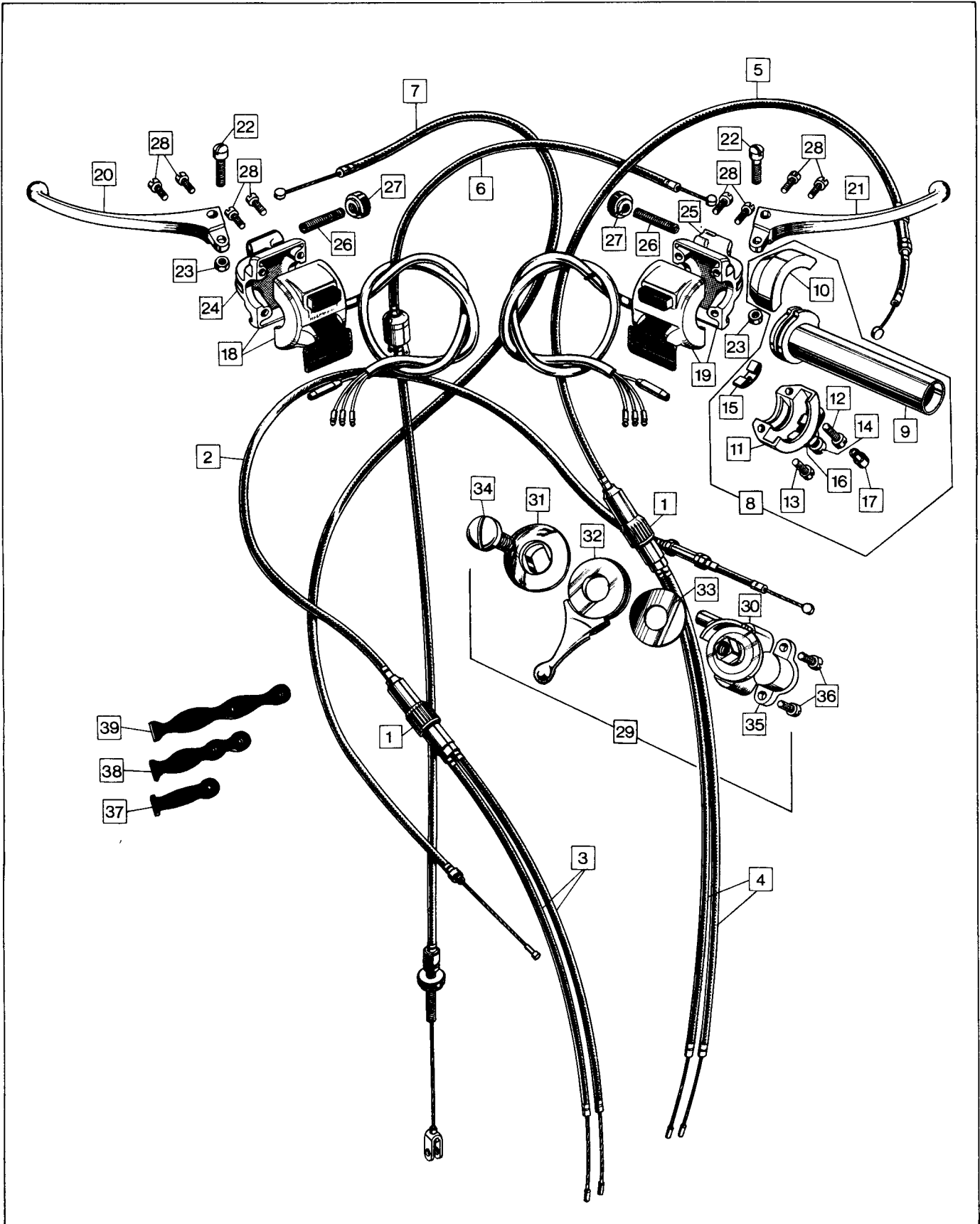
Front Wheel

C17

Plate No.	Part No.	Description	Qty	Bin No.	Price
1	060984	Front Wheel Complete (no tyre & tube)	1
2	060985	Rim and Hub Assembly	1
3	060361	Spindle Nut	1
4	060362	Wheel Spindle	1
5	040100	Bearing	1
6	060363	Bearing Lockring	1
7	060364	Hub Shell	1
8	NM. 16783	Spacer	1
9	NM. 17721	Bearing	1
10	NM. 19646	Spacer	1
11	NM. 19719	Washer	1
12	NM E6885	Seal	2
13	NM E6889	Washer	1
14	NM. 18350	Rim WM2 - 19	1
15	062525	Spoke	20
16	019512	Circlip	2
17	062526	Spoke	20
18	021693	Spoke Nipple	40
19	033057	Nut	1
20	060000	Cover Plate	1
21	060020	Inlet Gauze	1
22	060021	Exit Gauze	1
23	060787	Air Scoop Screw	14
24	060789	Air Inlet Cover	1
25	060845	Air Exit Cover	1
26	060006	Brake Shoe c/w Lining	2
27	060009	Expander	2
28	060013	Slipper	2
29	060014	Brake Shoe Spring	2
30	060015	Tie Rod	1
31	060018	Yoke (L.H. Thread)	1
32	060019	Yoke (R.H. Thread)	1
33	060025	Long Expander Lever	1
34	060027	Short Expander Lever	1
35	000010	Washer	2
36	060029	Expander Lever Nut	2
37	060552	Cable Pin	3
38	060553	Spring Clip	3
39	NM. 21394	Washer	2
40	NM. 18551	Dust Cover	1
41	NM E5944A	Washer	AR
42	NM19680	Expander Bush	4

SECTION C18

Controls and Control Cables



Controls and Control Cables

Plate No.	Part No.	Description	Qty	Bin No.	Price
1	019824	Junction Box - Air & Throttle Cables	2
2	060908	Air Cable (Control End)	1
3	033144	Air Cable (Carburetor End) (244/2178)	2
4	033145	Cable, Throttle (Carburetor End) (244/2179)	2
5	061451	* Cable, Throttle (Twistgrip End)	1
6	062491	* Cable, Brake (Front)	1
7	062492	* Cable, Clutch	1
8	062032	Control, Throttle Twistgrip complete less grip	1
9	16/091	Rotor only	1
10	16/060	Body, top half	1
11	16/061	Body bottom half	1
12	11/013	Clamp Screw, Long	1
13	11/014	Clamp Screw, Short	1
14	16/009	Friction Screw	1
15	16/008	Friction Spring	1
16	16/010	Locknut, Screw	1
17	026476	Slotted Abutment	1
18	062044	Switch L.H. C/W pivot casting	1
19	062043	Switch R.H. C/W pivot casting	1
20	062249	Lever, Clutch	1
21	062250	Lever Brake	1
22	062235	Bolt Pivot	2
23	062240	Nut, Pivot	2
24	54340883	Pivot Casting - Clutch	1
25	54340882	Pivot Casting - Front Brake	1
26	062027	Adjuster, Cable	2
27	062237	Nut, Cable Adjuster	2
28	062488	Screw, Switch Clusters	4
29	062193	Lever, Air (Amal 12/608) complete	1
30	12/619	Body, Air Lever	1
31	12/606	Cap, Air Lever	1
32	12/556	Lever, Air	1
33	12/033	Washer, Spring	1
34	12/607	Screw, Pivot	1
35	12/595	Clip Securing	1
36	11/014	Screw	2
37	011907	Cable Clip	4
38	026880	Cable Clip	9
39	026881	Cable Clip	1

* For Hi-Rider Models See Section K7

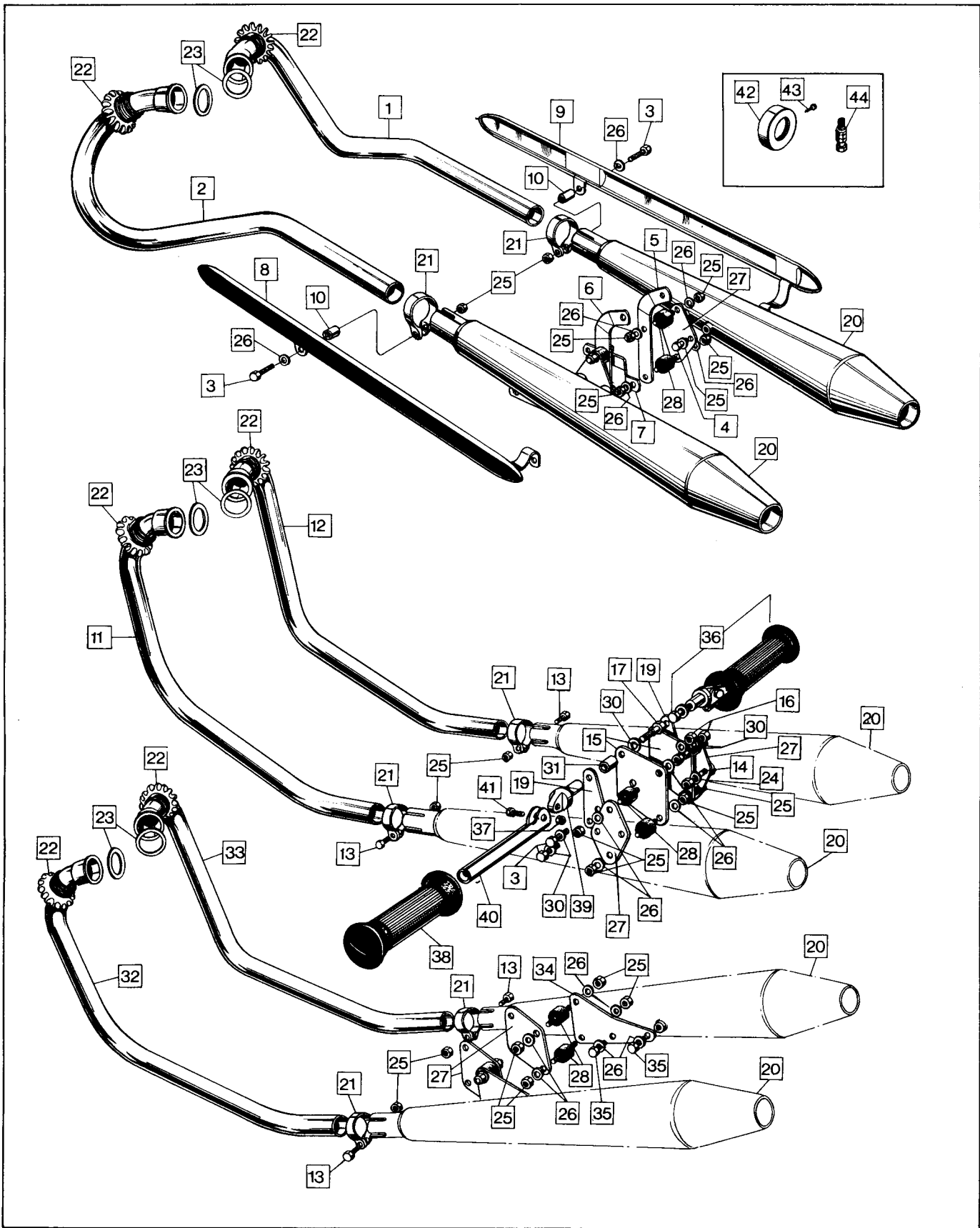
SECTION K1

Exhausts,

Mufflers,

Mute,

Passenger Footpegs



Exhausts, Mufflers, Mute, Passenger Footpegs

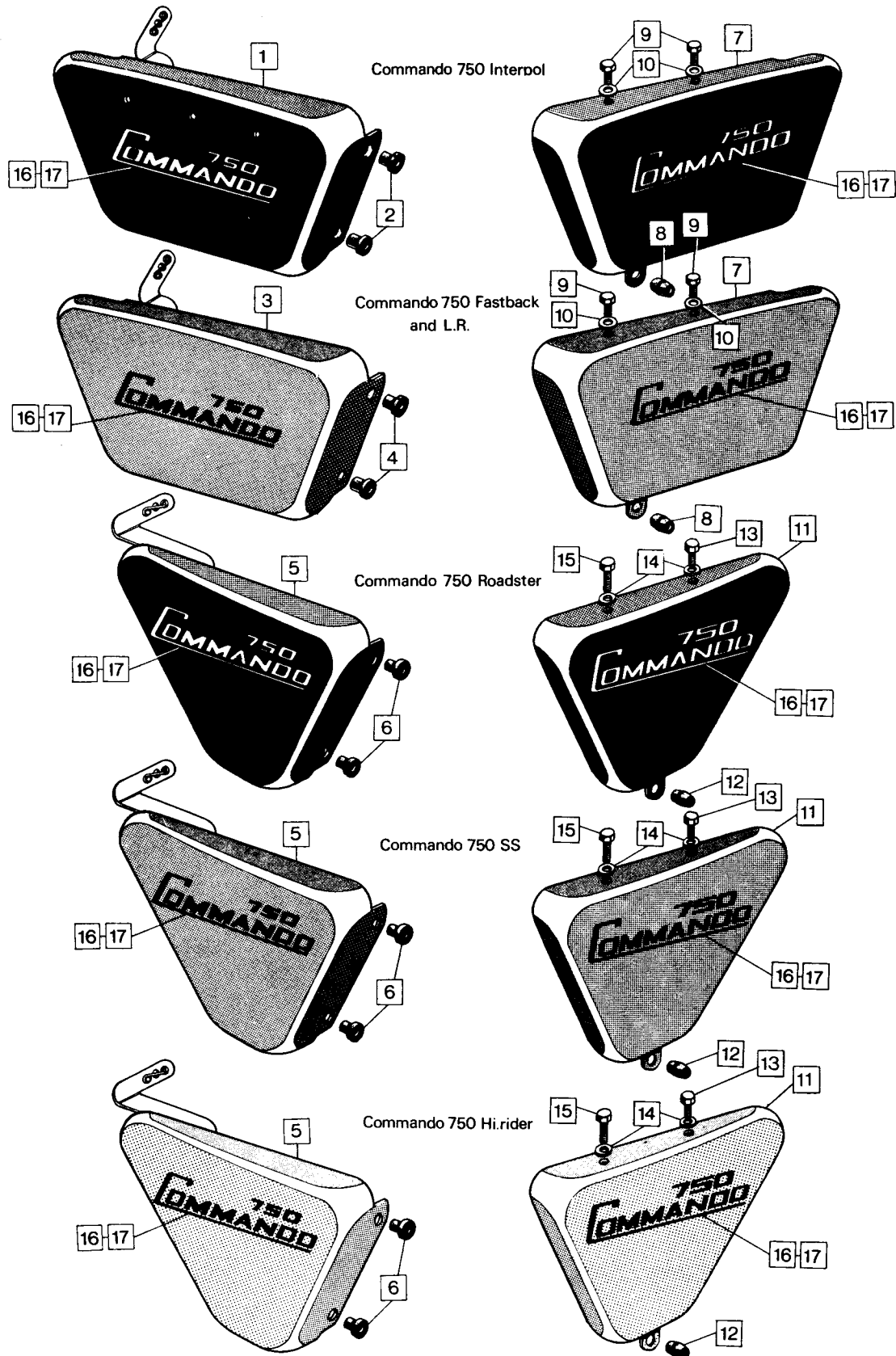
Exhausts, Mufflers, Mute, Passenger Footpegs

K1

Plate No.	Part No.	Description	Qty	Bin No.	Price
EXHAUST SYSTEM "SS"					
1	062380	Pipe R.H.	1
2	062381	Pipe L.H.	1
3	062382	Bolt	2
4	NM.22688/3	Muffler Bolt	4
5	062383	Right Hand Muffler Support	1
6	062384	Left Hand Muffler Support	1
7	062385	Support Brace Silencer	2
8	062386	Left Hand Heat Shield	1
9	062389	Right Hand Heat Shield	1
10	062392	Spacer	2
EXHAUST SYSTEM - FASTBACK, FASTBACK L.R. ROADSTER, HI-RIDER, INTERPOL					
11	061606	Exhaust Pipe L.H.	1
12	061607	Exhaust Pipe R.H.	1
13	060943	Bolt U.N.	2
14	060779	Stud	4
15	061720	Stay, Muffler	2
16	060029	Nut	4
17	060618	Bolt	2
18	000010	Washer	2
19	061722	Footpeg Support Gusset	2
EXHAUST SYSTEM COMMON PARTS					
20	061978	Muffler	2
21	061328	Clip	2
22	NM18092	* Exhaust Lockring	2
23	NMT2166	Washer (Copper/Asbestos)	2
24	NM18202	Washer	2
25	060348	Nut	6 (10 SS)
26	000011	Washer	8 (10 SS)
27	061721	Muffler Bracket	2
28	060622	Mounting Rubber	4
29	060863	Bolt	4 (2 SS)
30	000010	Washer	10 (2 SS)
31	060471	Mounting plate spacer	2 (Not SS)
EXHAUST SYSTEM - LOW LEVEL FOR USE WITH PANNIERS					
All parts as for Fastback except for items below					
32	062545	Exhaust pipe L.H.	1
33	062546	Exhaust pipe R.H.	1
34	062547	Muffler bracket	2
35	22688/3	Muffler bolt	4
PASSENGER FOOTPEGS					
36	062006	Passenger Footpeg complete	2
37	0700267	Nut	1
38	042569	Rubber	1
39	060487	Lug	1
40	060616	Footpeg	1
41	061798	Bolt	1
EXHAUST SYSTEM - MUTE					
42	061984	Muffler Mute	2
43	061987	Screw	2
44	062077	Carburetor Main Jet (To suit mute)	2
* Later motorcycles Use: 062464 Lockring 2 062412 Tab washer 2					

SECTION K2

**Side Covers,
Accessory Covers**



Side Covers, Accessory Covers

Side Covers, Accessory Covers

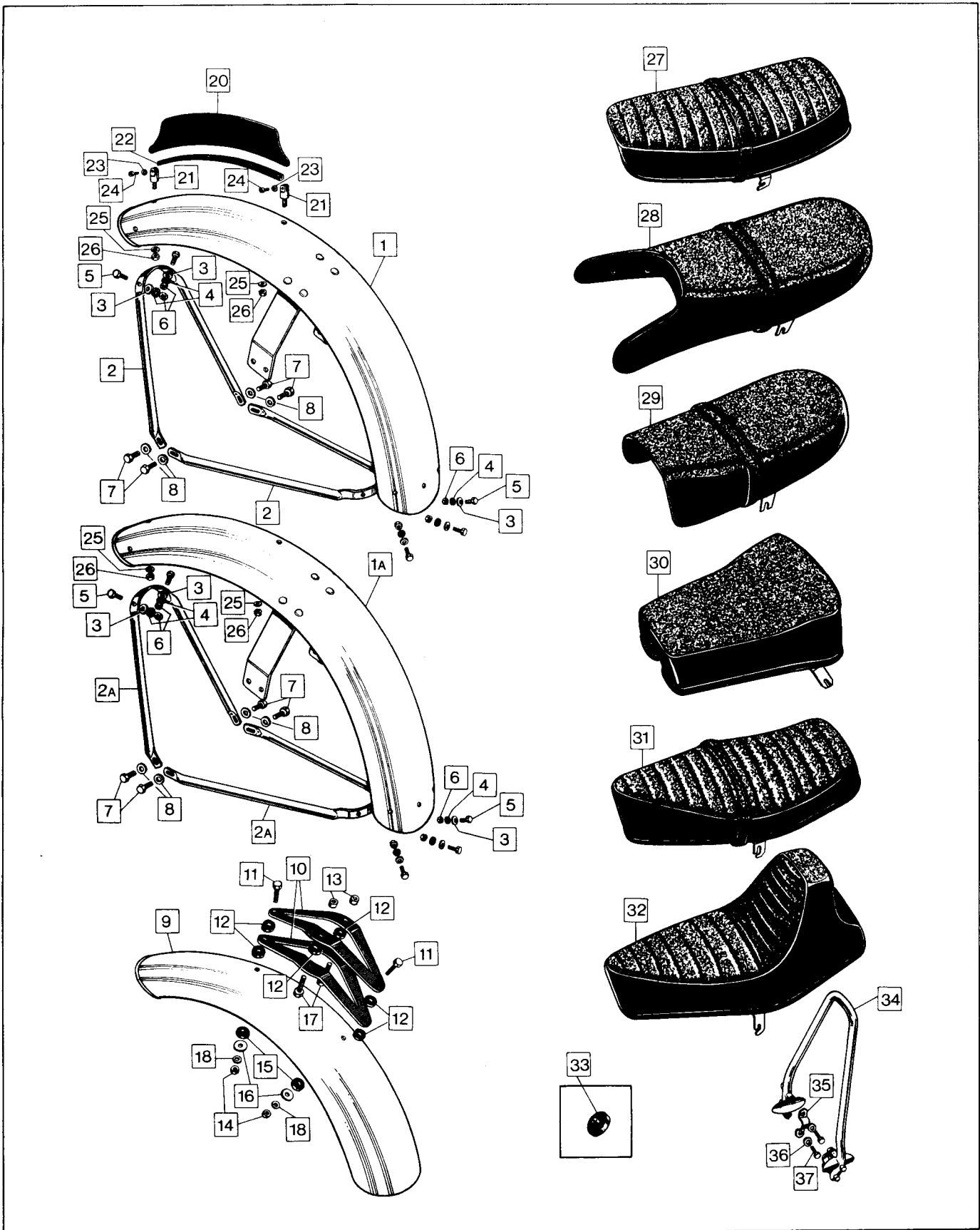
K2

Plate No.	Part No.	Description	Qty	Bin No.	Price
L.H. ACCESSORY COVER - INTERPOL					
1	062227/9	Accessory Cover Interpol Black*	1
2	061206	Grommet	2
L.H. ACCESSORY COVER - FASTBACK AND FASTBACK L.R.					
3	061785/9	Accessory Cover - Black*	1
4	061206	Grommet	2
L.H. ACCESSORY COVER - ROADSTER/SS/HI-RIDER					
5	061687/4	Accessory Cover - Fireflake, Royal Blue*	1
5	061687/6	Accessory Cover - Solid Canary Yellow*	1
5	061687/7	Accessory Cover - Solid Signal Red*	1
5	061687/9	Accessory Cover - Black*	1
5	061687/10	Accessory Cover - Solid Signal Orange*	1
5	061687/2	Accessory Cover - Fireflake Golden Bronze*	1
5	061687/3	Accessory Cover - Fireflake Roman Purple*	1
5	061687/11	Accessory Cover - Tangerine (Hi-Rider only)*	1
6	061206	Grommet	2
R.H. SIDE COVER - INTERPOL/FASTBACK/FASTBACK L.R.					
7	061675/9	Cover - side Black*	1
8	061686	Grommet	1
9	060327	Bolt	2
10	000012	Washer	2
R.H. SIDE COVER - ROADSTER/SS/HI-RIDER					
11	061693/2	Side Cover - Fireflake Golden Bronze*	1
11	061693/3	Side Cover - Fireflake Roman Purple*	1
11	061693/4	Side Cover - Fireflake Royal Blue*	1
11	061693/6	Side Cover - Solid Canary Yellow*	1
11	061693/7	Side Cover - Solid Signal Red*	1
11	061693/9	Side Cover - Black*	1
11	061693/10	Side Cover - Signal Orange*	1
11	061693/11	Side Cover - Tangerine (Hi-Rider only)*	1
12	061686	Grommet	1
13	060327	Short Bolt	2
14	000012	Washer	2
15	0700117	Long Bolt	1
DECALS (TRANSFERS) ALL MODELS					
16	062019	Decal 750 Commando (Gold, Black edging)	AR
17	062020	Decal 750 Commando (All Black)	AR

* Less decals

SECTION K3

**Front Fenders,
Number Plates
and Seats**



Front Fenders, Number Plates and Seats

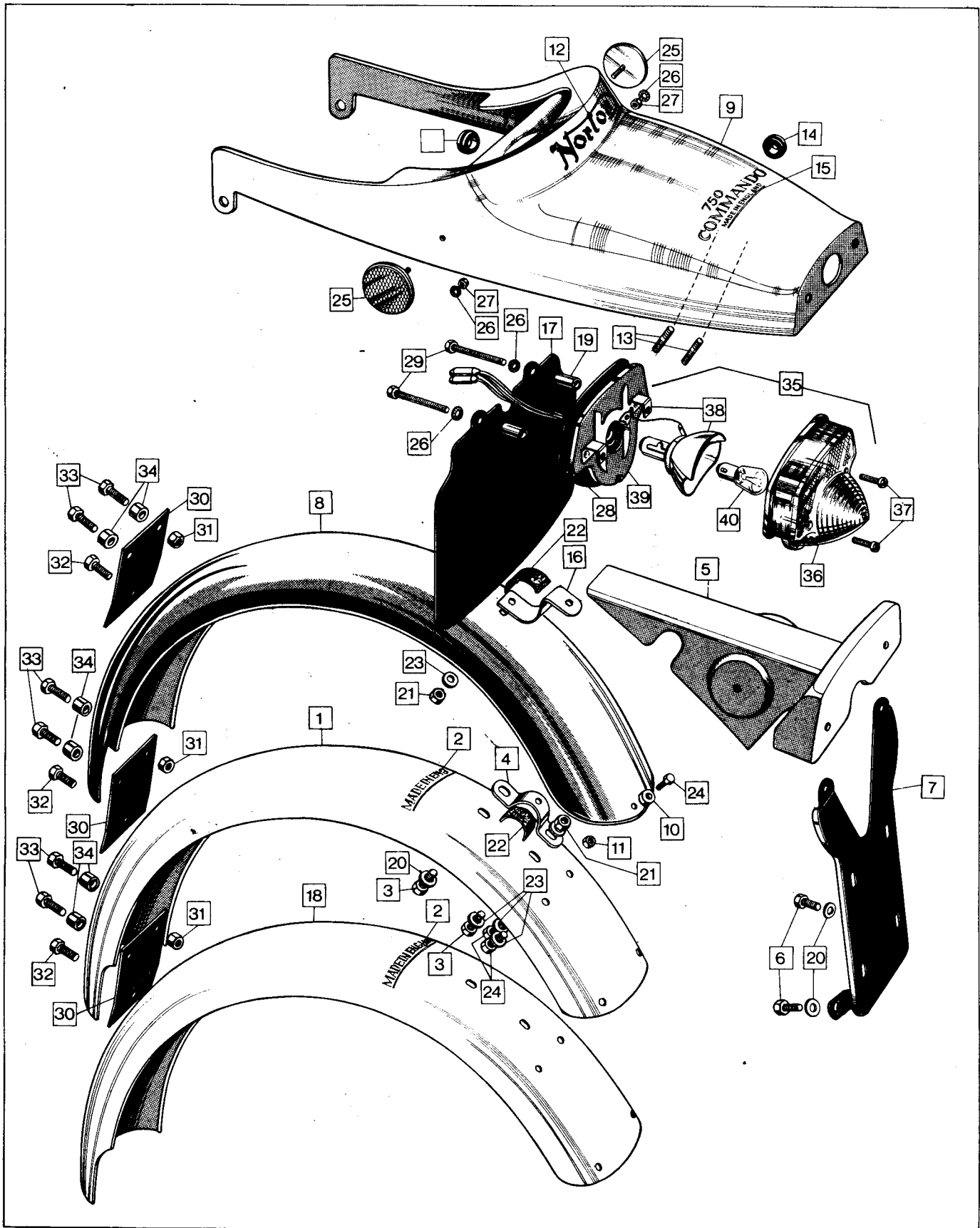
Front Fenders, Number Plate and Seats

K3

Plate No.	Part No.	Description	Qty	Bin No.	Price
FRONT FENDER – FASTBACK, FASTBACK L.R., ROADSTER, HI-RIDER, BLACK INTERPOL					
1	062328/1	Front Fender, Chrome	1
2	062323/1	Fender stay	2
FRONT FENDER – WHITE INTERPOL					
1A	062328/2	Front Fender, Painted	1
2A	062323/2	Fender stay	2
FENDER FITTINGS – COMMON TO ALL MODELS EXCEPT "SS"					
3	000039	Plain Washer	10
4	000190	Serrated Washer	5
5	060677	Bolt	5
6	060678	Nut	5
7	060357	Bolt	4
8	000011	Plain Washer	4
FRONT FENDER "SS"					
9	062363	Front Fender	1
10	0700116	Fender stay	2
11	22688/2	Bolt	2
12	000011	Washer	6
13	062361	Spacer	2
14	062362	Self Locking Nut	2
15	060648	Rubber	4
16	014999	Large Washer	2
17	87-2810	Screw	2
18	000012	Washer	4
19	062240	Nut	2
FRONT NUMBER PLATE (For certain markets as required)					
20	011835	Number Plate	1
21	011836	Stanchion	2
22	NM.18755	Bead	1
23	NMT2221	Washer	2
24	000861	Screw	2
25	000012	Washer	2
26	000005	Nut	1
SEATS					
27	061766	Seat - Roadster	1
28	060501	Seat - Fastback	1
29	062233	Seat - Fastback Long Range	1
30	061770	Seat - Interpol	1
31	062336	Seat - "SS"	1
32	062390	Seat - Hi-Rider	1
33	NM.21852	Seat Buffer	AR
HI-RIDER GRAB RAIL					
34	062374	Grab Rail	1
35	062379	Clip	2
36	NM.25592	Washer	4
37	061798	Screw	4

SECTION K4

**Rear Fenders,
Tail Light and
Tail Section**



Rear Fenders, Tail Light and Tail Section

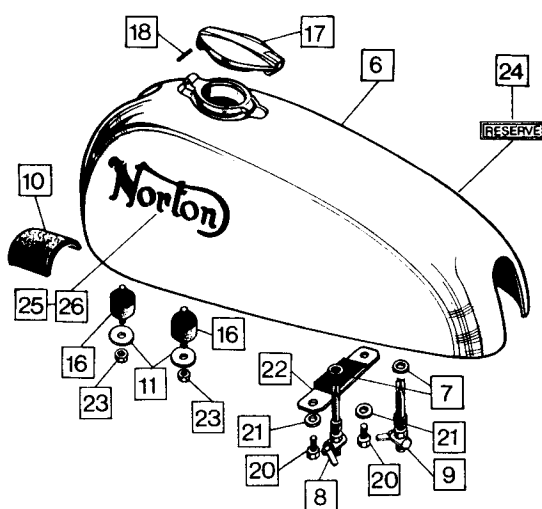
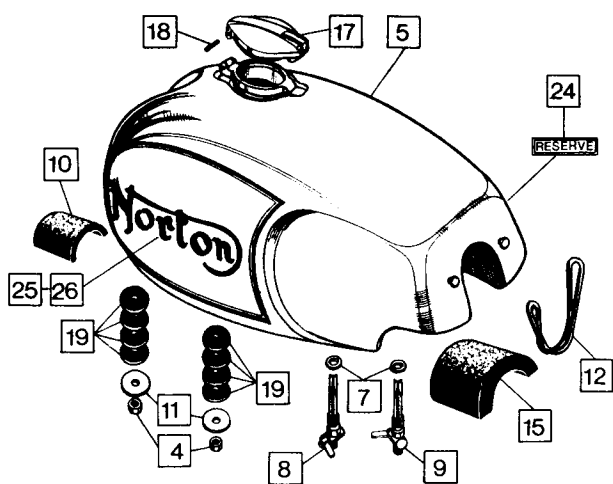
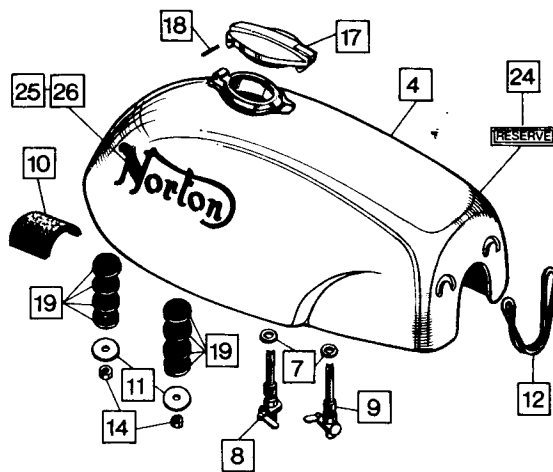
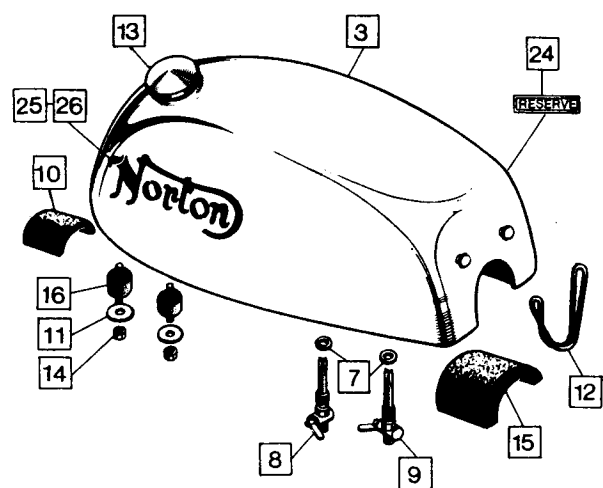
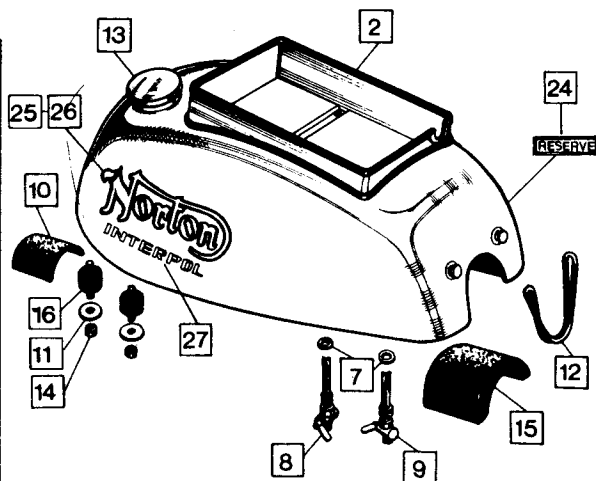
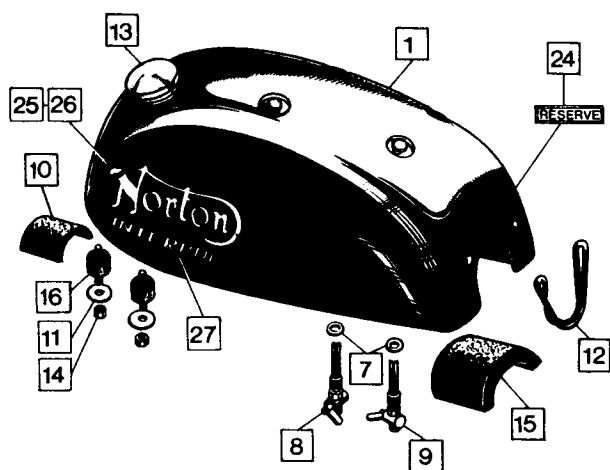
Rear Fenders, Tail Light and Tail Section

K4

Plate No.	Part No.	Description	Qty	Bin No.	Price
	REAR FENDER - ROADSTER / SS / HI-RIDER / BLACK INTERPOL				
1	062172	Rear Fender	1
2	035073	Decal "Made in England"	1
3	060359	Bolt	2
4	061121	Clip	1
5	061122	Tail Light Fairing	1
6	060865	Bolt	2
7	062038	Support	1
	REAR FENDER - FASTBACK				
8	062171	Rear Fender	1
9	062039/7	Tail, Solid Signal Red	1
9	062039/8	Tail, Solid British Racing Green	1
9	062039/4	Tail, FF Royal Blue	1
9	062039/2	Tail, FF Golden Bronze	1
10	000178	Spacer	1
11	033057	Nut - Number plate	1
12	035039	Decal "Norton"	1
13	060779	Stud	2
14	062594	Grommet	2
15	061044	Decal "750 Commando"	1
16	060506	Tail Section Bracket	1
17	060646	Number plate	1
	REAR FENDER - WHITE INTERPOL				
18	062171/1	Rear Fender	1
	COMMON FITTINGS				
19	060634	Spacer	2
20	000011	Washer	3
21	060348	Nut	1
22	060504	Rubber	1
23	000012	Washer	4
24	060327	Bolt	2
25	062007	Rear Side Reflector (Red)	2
26	22401	Washer	4
27	1002/15E	Nut	2
28	060644	Cowl, tail lamp	1
29	060909	Screw	2
30	062169	Fender stay bracket	1
31	060029	Nut	1
32	060359	Bolt	1
33	060652	Bolt	2
34	062170	Spacer	2
	TAIL LAMP - ALL MODELS				
35	NM. 24840	Rear Lamp 53973D	1
36	54577109	Lens & Window	1
37	144921	Screw, Lens Fixing	1
38	573828	Interior, Bulb-Holder	1
39	54525286	Lamp Base Assembly	1
40	380	Bulb	

SECTION K5

Gas Tanks

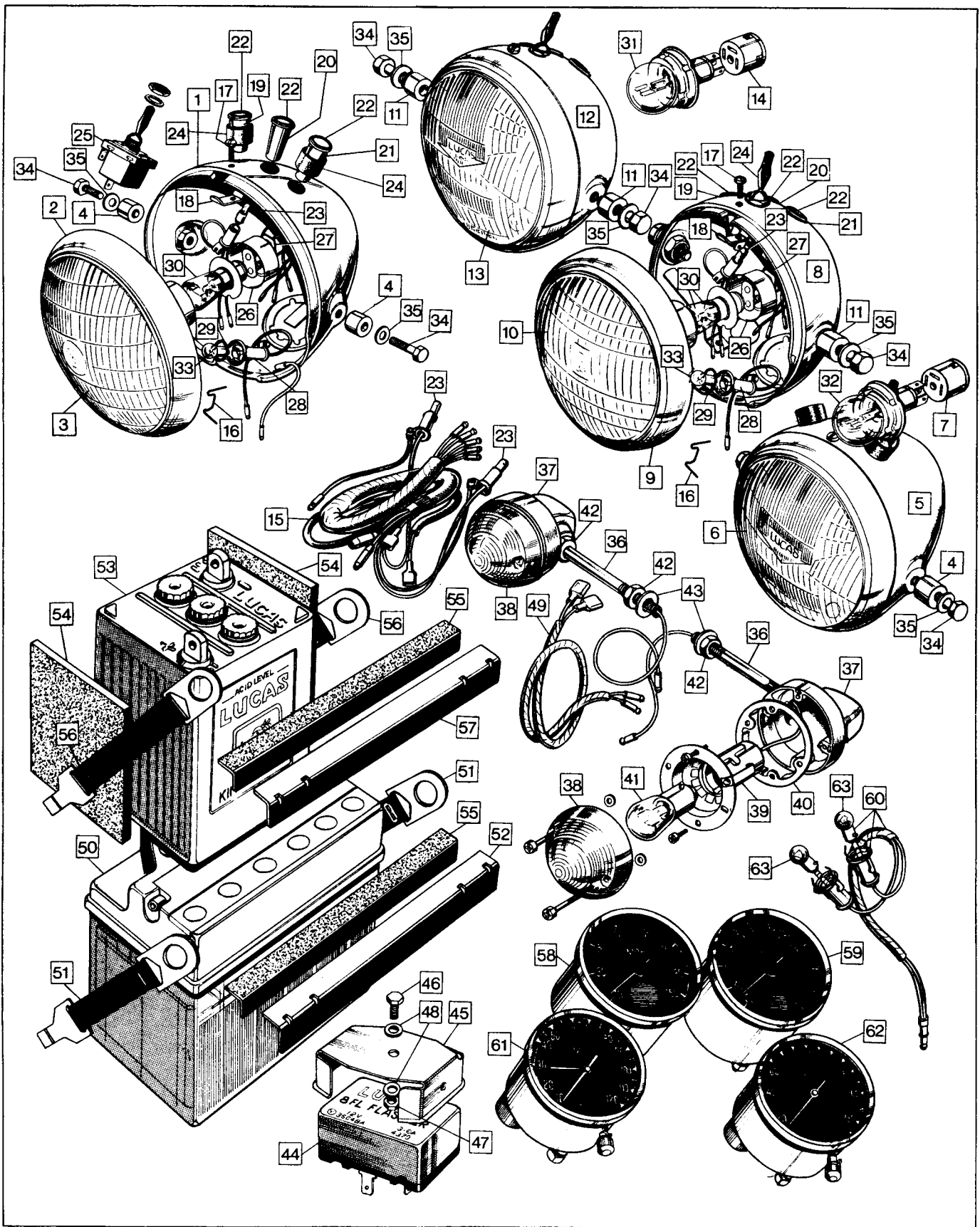


Gas Tanks

Plate No.	Part No.	Description	Qty	Bin No.	Price
GAS TANKS					
1	06-1764/1	Tank, Interpol, White (with pommels) less decals and fittings	1
2	06-2224/1	Tank, Interpol, Black (with recess) less decals and fittings	1
3	06-2225/8	Tank, Fastback L.R. British Racing Green less decals and fittings	1
3	06-2225/7	Tank, Fastback L.R. Solid Signal Red less decals and fittings	1
4	06-2025/8	Tank, Fastback, British Racing Green*	1
4	06-2025/7	Tank, Fastback, Solid Signal Red*	1
4	06-2025/4	Tank, Fastback, Fireflake Royal Blue*	1
4	06-2025/2	Tank, Fastback, Fireflake Golden Bronze*	1
5	06-2026/4	Tank, Roadster, Fireflake Royal Blue*	1
5	06-2026/6	Tank, Roadster, Solid Canary Yellow*	1
5	06-2026/7	Tank, Roadster, Solid Signal Red*	1
5	06-2026/9	Tank, Roadster, Black with lining*	1
5	06-2026/10	Tank, Roadster, Solid Signal Orange*	1
5	06-2026/2	Tank, Roadster, Fireflake Golden Bronze*	1
5	06-2026/3	Tank, Roadster, Fireflake Roman Purple*	1
6	06-2371/6	Tank, "SS" and Hi-Rider, Solid Canary Yellow*	1
6	06-2371/11	Tank, "SS" and Hi-Rider, Solid Tangerine*	1
* All the above are less decals					
GAS TANK FITTINGS					
7	000183	Tap Washer	2
8	031746	Tap reserve	1
9	033155	Tap	1
10	026359	Thin Rubber	1
11	014999	Washer	2
12	060498	Ring, Tank Fixing	1
13	013325	Filler Cap	1
14	060797	Nyloc Nut	2
15	062567	Thick Rubber	1
16	060622	Mounting	2
17	060681	Filler Cap	1
18	060882	Pin, Filler Cap	1
19	060648	Front Rubber	8
20	060359	Rear Bolt	2
21	000011	Washer	2
22	062367	Strap	1
23	060797	Nyloc Nut	2
DECALS					
24	009195	Decal "Reserve"	1
25	062021	Decal "Norton" Gold/Black Edge	2
26	062022	Decal "Norton" All Black	2

SECTION K6

**Head Light and
Direction Indicators**



Head Light and Direction Indicators

Head Light and Direction Indicators

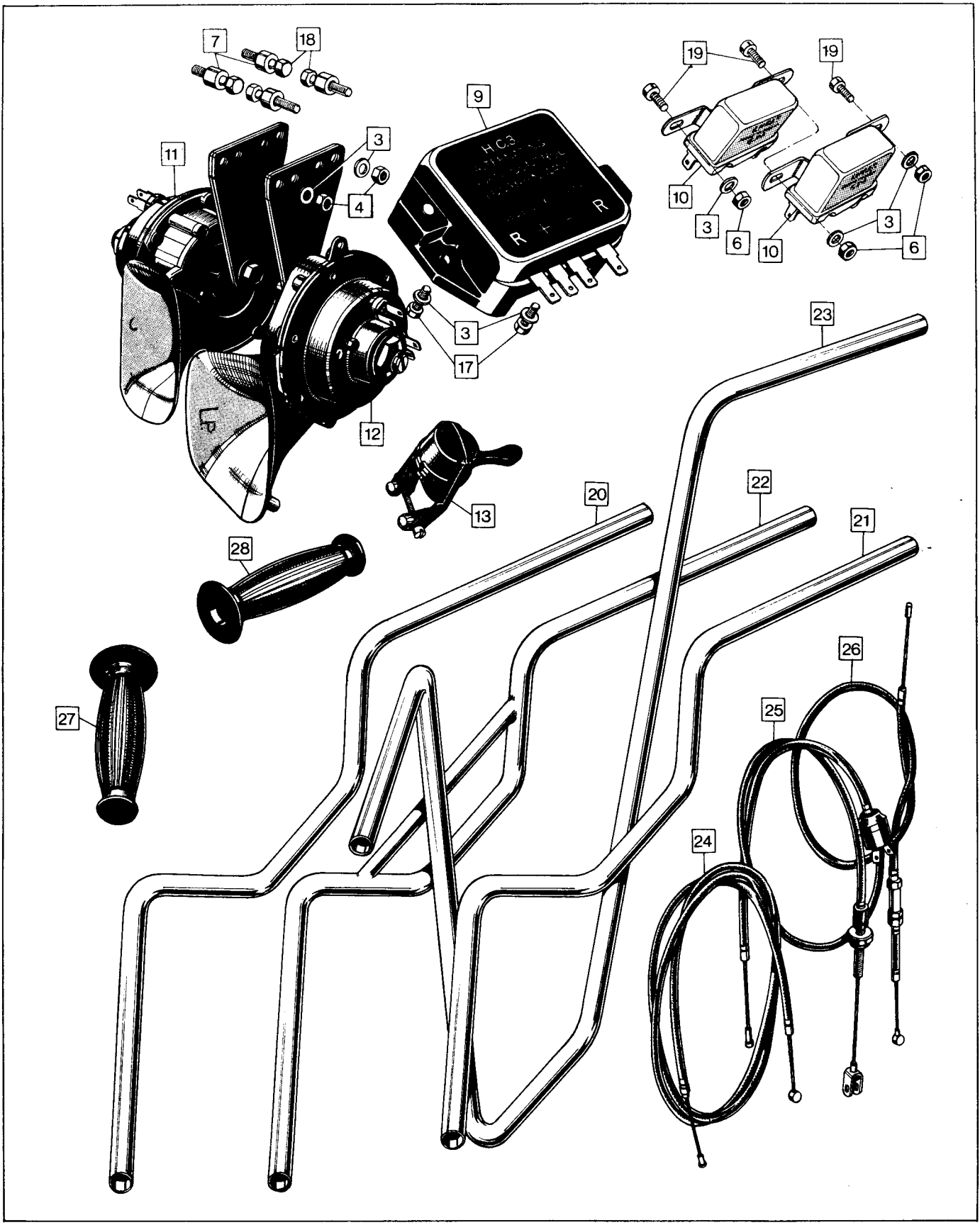
K6

Plate No.	Part No.	Description	Qty	Bin No.	Price
		HEADLAMP - FASTBACK, FASTBACK L.R. ROADSTER, INTERPOL			
1	60279	Headlamp SS700P	1
2	553248	Rim	1
3	516801	Light Unit	1
4	062035	Spacer	2
5	60349	HeadlampSS700P Continental/France	1
6	54522680	Light unit Continental/France	1
7	553738	Adaptor	1
		HEADLAMP "SS", HI-RIDER			
8	60280	Headlamp MCH66	1
9	534343	Rim	1
10	54525272	Light Unit	1
11	062300	Spacer	2
12	60348	Headlamp MCH66 Continental/France	1
13	54523513	Light unit Continental/France	1
14	553738	Adaptor	1
		HEADLAMP COMPONENTS - COMMON TO MCH66 AND SS700P HEADLAMPS			
15	54959633	Headlamp harness	1
16	504665	Wire Fixing	6
17	144921	Screw, Rim Fixing	1
18	534296	Plate, Rim Fixing	1
19	54363453	Warning Light Body Amber	1
20	54363454	Warning Light Body Red	1
21	54363455	Warning Light Body Green	1
22	54140331	Sealing Ring, Light Body	3
23	281	Bulb, Warning Light	3
24	54525212	Shield Warning Light	3
25	34660	Lighting Switch	1
26	554602	Bulb Holder Main	1
27	555910	Sleeve, Terminal	1
28	54573590	Bulb Holder Pilot	1
29	554354	Ring Holder, Pilot Bulb Seating	1
30	370	Bulb Main 45/40W	1
31	410	Bulb, Main, Continental 45/40w	1
32	411	Bulb, Main, France 45/40w	1
33	989	Bulb Pilot	1
34	062321	Bolt Headlamp Mounting	2
35	26313	* Washer Headlamp Mounting	2
		DIRECTION INDICATORS			
36	062059	Indicator Lamp Mounting	4
37	062060	Lamp	4
38	54581638	Lens	4
39	54580322	Bulbholder Assembly	4
40	573832	Interior Assembly	4
41	382	Bulb	4
42	20948	Nut	2
43	26494	Washer	2
44	062045	Flasher Unit	1
45	062046	Mounting Bracket	1
46	060915	Bolt	1
47	060678	Nut	1
48	000039	Washer	2
49	062574	Link lead (Front Flashers)	1
		BATTERY - FASTBACK L.R. ROADSTER			
50	033049	Battery	1
51	061662	Strap	2
52	061667	Crossbar	1
		BATTERY - INTERPOL			
53	061627	Battery	2
54	061655	Rubber	2
55	061658	Rubber	1
56	061661	Strap	2
57	061667	Crossbar	1
		SPEEDOMETERS - ALL MODELS EXCEPT INTERPOL			
58	062277	Speedometer M.P.H.	1
59	062278	Speedometer K.P.H.	1
60	062086	Speedometer Bulbholder, Bulb and lead	1
		SPEEDOMETER - INTERPOL ONLY			
61	061767	Speedometer certified M.P.H.	1
62	062229	Speedometer certified K.P.H.	1
		SPEEDOMETER AND TACHOMETER BULB			
63	L643	Speedometer/Tachometer Bulb	1

* Later models use 062409 chrome washer

SECTION K7

**Police Equipment
and handlebars**



Police Equipment and handlebars

Police Equipment and Handlebars

K7

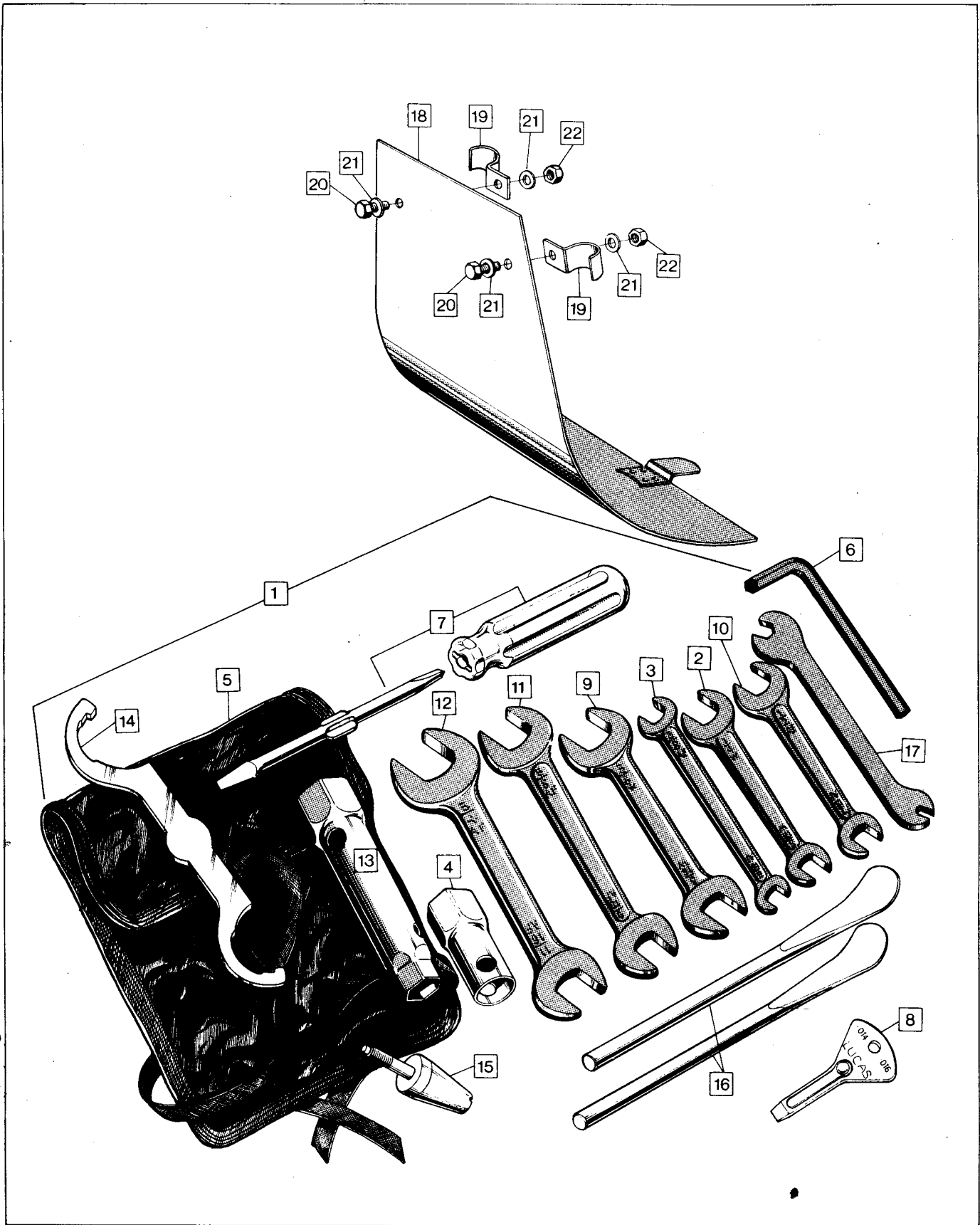
Plate No.	Part No.	Description	Qty	Bin No.	Price
INTERPOL ONLY – POLICE EQUIPMENT					
1	000010	*Washer, exhaust fixing	2
2	000012	Washer	2
3	000039	Washer	7
4	033057	Nut-Horn Fixing	2
5	060348	*Nut, exhaust fixing	2
6	060678	Nut	5
7	060694	Spacer (Horn to coil bracket)	4
8	061775	† Lead	1
9	60933008	Control	1
10	33213	Relay 6RA	2
11	54068189	Horn 9H	1
12	54068190	Horn 9H	1
13	31482	Switch, horns and blue lamp	2
14	062268	† Lead	1
15	062269	† Lead	1
16	062270	† Lead	1
17	30865	Screw (2 alt control to tool cpt)	2
18	NM.26948	Bolt (Horns to coil bracket)	4
19	30802	Screw (Relays to cover)	3
(Blue Lamp not supplied - this is in fairing)					
20	HANDLEBAR – FASTBACK' FASTBACK L.R., ROADSTER 061046	Handlebar	1
21	HANDLEBAR – INTERPOL 062306	Handlebar	1
22	HANDLEBAR – SS 062399	Handlebar	1
23	HANDLEBAR – HI-RIDER 062405	Handlebar	1
24	062504	Clutch Cable	1
25	062503	Front Brake Cable	1
26	062406	Cable Throttle	1
HANDLEBAR GRIPS					
27	061879	Dummy Grip	1
28	061830	Twistgrip Rubber	1

† Not supplied as spare, thus not illustrated.

* Not illustrated.

SECTION K8

Toolkit and Skid Plate



Toolkit and Skid Plate

Toolkit and Skid Plate

K8

Plate No.	Part No.	Description	Qty	Bin No.	Price
TOOL KIT CPTE					
1	062550	Tool kit complete	1
2	017052	Spanner 3/16" x 1/4" open ended	1
3	017053	Spanner 5/16" x 3/8" open ended	1
4	017252	Spanner - Spark Plug	1
5	017253	Bag	1
6	019869	Key, Socket Screw	1
7	062551	Screwdriver	1
8	024365	Gauge/Contact Breaker Screwdriver	1
9	060820	Spanner 5/16" x 3/8" open ended	1
10	060821	Spanner 7/16" x 1/2" open ended	1
11	060822	Spanner 9/16" x 5/8" open ended	1
12	060823	Spanner 11/16" x 3/4" open ended	1
13	060922	Spanner 3/4" x 15/16" Box	1
14	061284	Spanner Suspension Unit	1
15	061359	Camshaft Oil Seal Guide	1
16	NMLTU07	Lever	2
17	NMSPU2/20	Spanner Rocker Adjusters	1
SKID PLATE (SS)					
18	062401	Skid Plate	1
19	062404	Clip	2
20	060359	Bolt	2
21	000011	Washer	4
22	060348	Nut	2